



INDICATIVE PHOTO

General features : RSV1200605

RSV unit coolers have been designed to be installed inside cold rooms suited for fresh and frozen goods storage

Their shape, being extremely compact, make their installation possible also in cold rooms having very small dimensions

Thanks to their high speed fan motors, wired on terminal box, and to the evaporator coil placing that give them a higher thermal change, give a result of higher capacities compared to the same overall dimensions

5 mm fin spacing.

The ED version, supplied with fitted defrosting heater and wired on a terminal box is particularly suitable for being used in low temperature applications.

The coil is made of aluminium fins and 3/8" copper tube with geometry 25x22

It is tested with nitrogen at a pressure of 25 bar

The fan motor models in use have the following features:

Manufactured following EN 60335-1 laws, with internal thermal protection

Draw through air flow

Fan guard made of plastic and brackets made of steel

Fan diameter 200mm, 34° inclination

Power supply 230-240V/1/50-60Hz

IP42 protection rate

Operating temperature from -40°C to +40°C

B insulation class

Electrics made in conformity with 2006/95/CE Low Tension directive

The housing is made of aluminium

The manufacturing solutions used give the housing strength and guarantee the absence of vibrations during the functioning.

Screws, washers and nuts are made of stainless steel

All models are supplied with fitted drip tray



INDICATIVE PHOTO

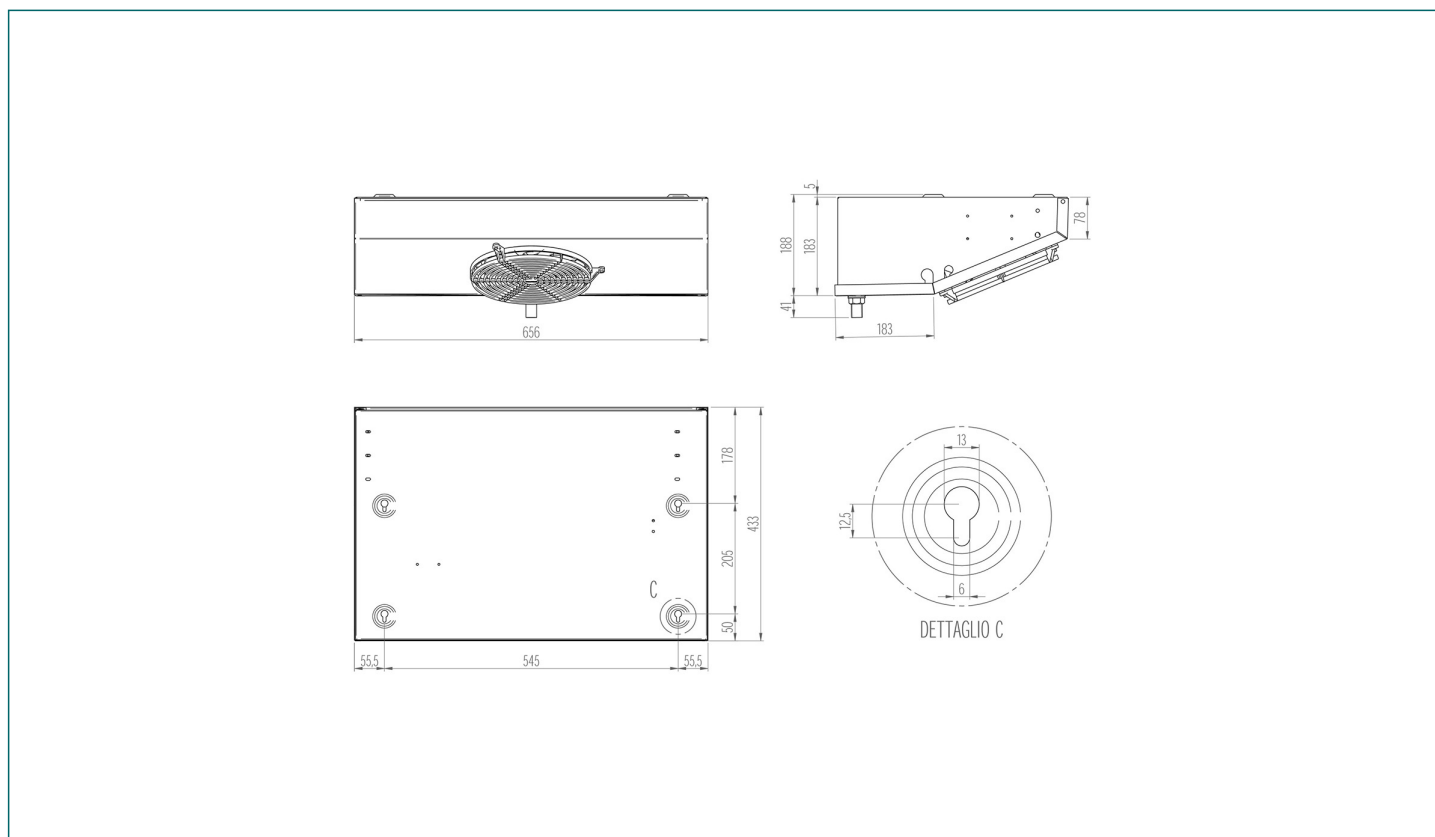
Product file : Unit coolers

Code	RSV1200605ED
Model	Ceiling
Range	RSV
Application	MBP
Net weight	8,3 kg
Inlet connection	12 mm
Outlet connection	14 mm
Drain connection	1/2" Gas (20mm)
Ped	0
Rows	6
Fin spacing	5
Circuit volume	1,45 dm ³
Total surface	4,25 m ²

Fan motor

Type	AC
Fans no.	1
Diameter	200 mm
Power supply	230/1/50
Defrost	650 W
Speed	2600 rpm
Power consumption	62 W
Current consumption	0,27 A
Air flow	600 m ³ /h
Air throw	3 m

Technical drawing - RSV1200605



Refrigerating capacity table (watt) - Gas :

dT \ Tc	-35°C	-30°C	-25°C	-20°C	-15°C	-10°C	-5°C	0°C	2°C	4°C	6°C	8°C	10°C	12°C	15°C
10	832	932	1020	1090	1160	1220	1290	1380	1410	1430	1440	1460	1490	1540	1615
9	773	856	925	986	1040	1100	1160	1250	1270	1280	1290	1310	1350	1390	1450
8	704	770	827	876	923	973	1030	1100	1120	1130	1140	1160	1200	1230	1275
7	625	679	723	761	799	835	884	949	958	965	972	1010	1030	1060	1105
6	540	580	613	643	668	705	750	809	815	821	832	868	893	922	966
5	447	475	499	518	541	573	612	666	668	671	700	723	749	777	819