



INDICATIVE PHOTO

General features : RSI23503

RSI range unit coolers have been designed to be installed inside cold rooms suited for fresh and frozen goods storage.

This range has the advantage of having extremely compact dimensions and at the same time gives capacities comparable to the RC range. This feature allows applications inside cold rooms with a minimum encumbrance in height

RSI range is available in two different fan diameters and three types of fin spacing according to the needed application.

The model types having 350mm fan diameter are made of two different groups: models with 3,5mm fin spacing suited for cold room temperature (Tc) from -5°C to +15°C; models with 7mm fin spacing suited for cold room temperature (Tc) from -40°C to +4°C.

The coil is made of aluminium fins and 3/8" copper tube with geometry 25x22

It is tested with nitrogen at a pressure of 25 bar

The fan motor models in use have the following features:

Manufactured following EN 60335-1 laws, with internal thermal protection

IP44 protection rate

F insulation class

operating temperature -40°C a +65°C

Electrics made in conformity with 73/23CEE Low Tension directive

Electrics made in conformity with 2006/95/CE Low Tension directive

The housing is made of aluminium

The manufacturing solutions used give the housing strength and guarantee the absence of vibrations during the functioning.

Screws, washers and nuts are made of stainless steel



INDICATIVE PHOTO

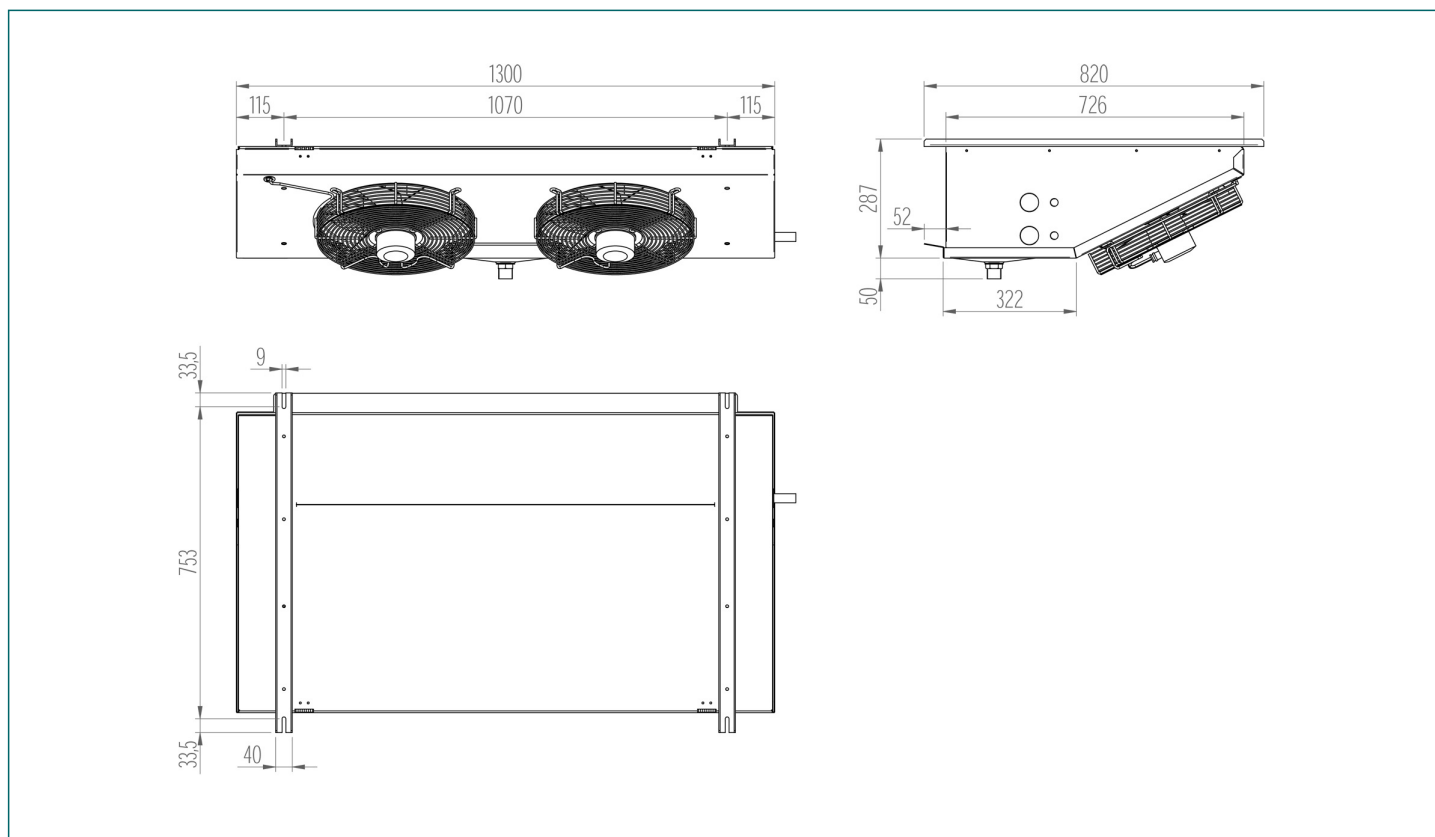
Product file : Unit coolers

Code	RSI23503ED
Model	Ceiling
Range	RSI
Application	HBP
Net weight	38,4 kg
Inlet connection	12 mm-1/2" SAE
Outlet connection	22 mm
Drain connection	1" Gas (33mm)
Ped	0
Rows	6
Fin spacing	3,5
Circuit volume	4,88 dm ³
Total surface	24,7 m ²

Fan motor

Type	AC
Fans no.	2
Diameter	350 mm
Power supply	230/1/50-60
Defrost	2500 W
Speed	1400 rpm
Power consumption	260 W
Current consumption	1,16 A
Air flow	2391 m ³ /h
Air throw	10 m

Technical drawing - RSI23503



Refrigerating capacity table (watt) - Gas :

dT \ Tc	-5°C	0°C	2°C	4°C	6°C	8°C	10°C	12°C	15°C
10	5350 ⁽¹⁾	5690 ⁽¹⁾	5750	5790	5840	5870	5970	6130	6370
9	4790 ⁽¹⁾	5080 ⁽¹⁾	5130	5150	5200	5280	5370	5470	5620
8	4210 ⁽¹⁾	4460 ⁽¹⁾	4480	4530	4580	4630	4690	4770	4890
7	3600 ⁽¹⁾	3810 ⁽¹⁾	3830	3860	3890	3920	3990	4060	4165
6	3000 ⁽¹⁾	3180 ⁽¹⁾	3210	3240	3270	3300	3370	3440	3545
5	2380 ⁽¹⁾	2540 ⁽¹⁾	2560	2580	2610	2670	2730	2800	2905

(1) Applicazione fuori dal campo consigliato