



INDICATIVE PHOTO

General features : RSI2250

RSI range unit coolers have been designed to be installed inside cold rooms suited for fresh and frozen goods storage.

This range has the advantage of having extremely compact dimensions and at the same time gives capacities comparable to the RC range. This feature allows applications inside cold rooms with a minimum encumbrance in height

RSI range is available in two different fan diameters and three types of fin spacing according to the needed application.

The ED version is supplied with mounted defrosting heaters and is suitable for being used at low temperature applications.

The range consist of two types of coils, both made of aluminium fins and copper tube: 3/8" tube with a geometry of 25x22

The model types having 250mm fan diameter are fitted with a coil of 5,3mm fin spacing, suited for applications with a cold room temperature (Tc) from -30°C to +10°C

The coil is made of aluminium fins and 3/8" copper tube with geometry 25x22

It is tested with nitrogen at a pressure of 25 bar

The fan motor models in use have the following features:

Manufactured following EN 60335-1 laws, with internal thermal protection

Power supply 230-240V/1/50-60Hz

The model types having 350mm fan diameter are made of two different groups: models with 3,5mm fin spacing suited for cold room temperature (Tc) from -5°C to +15°C; models with 7mm fin spacing suited for cold room temperature (Tc) from -40°C to +4°C.

IP42 protection rate

Operating temperature from -40°C to +40°C

B insulation class

Electrics made in conformity with 2006/95/CE Low Tension directive

The housing is made of aluminium

The manufacturing solutions used give the housing strength and guarantee the absence of vibrations during the functioning.

Screws, washers and nuts are made of stainless steel



INDICATIVE PHOTO

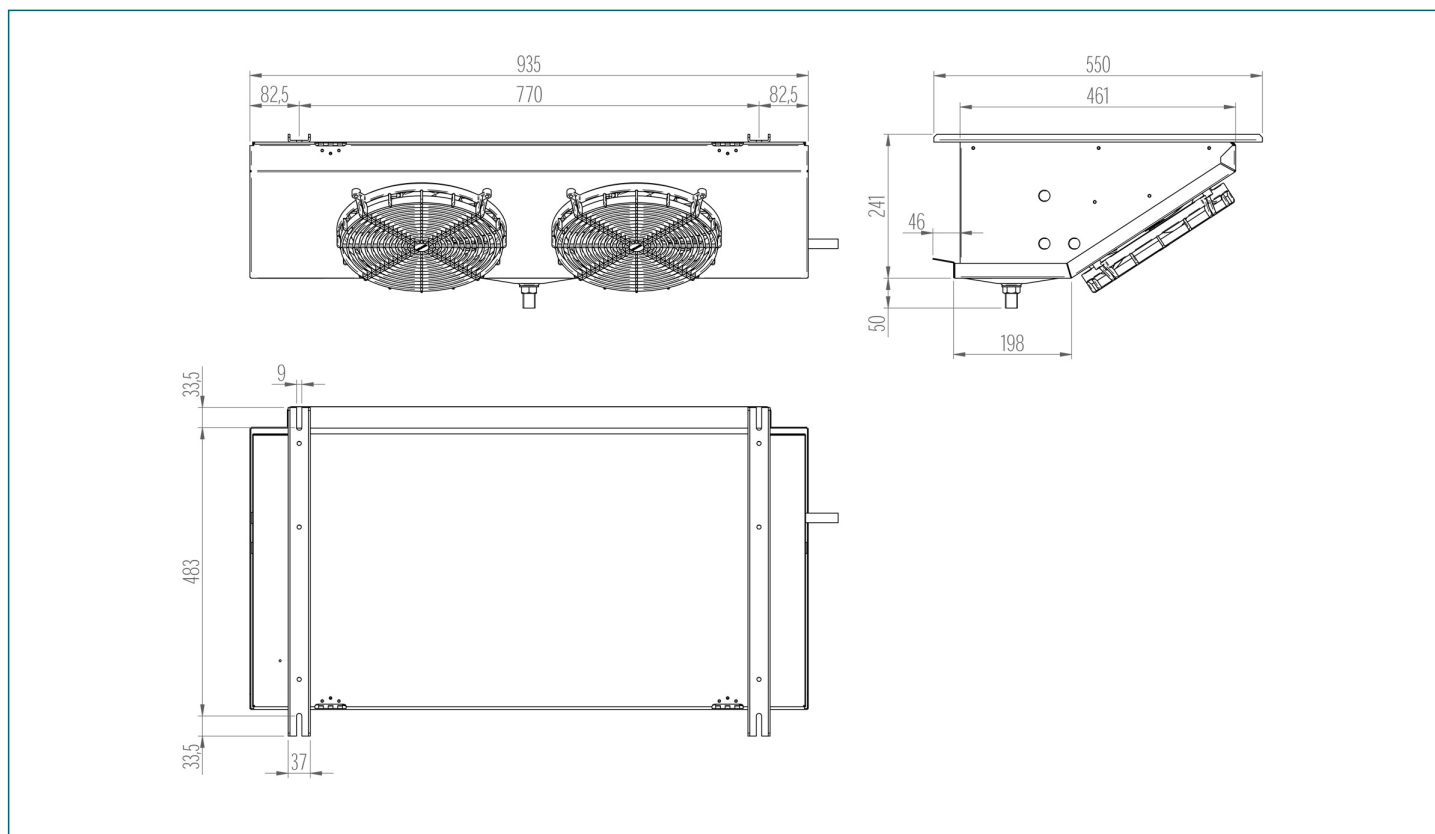
Product file : Unit coolers

Code	RSI2250ED
Model	Ceiling
Range	RSI
Application	MBP
Net weight	18,2 kg
Inlet connection	12 mm
Outlet connection	16 mm
Drain connection	1/2" Gas (20mm)
Ped	0
Rows	6
Fin spacing	5,3
Circuit volume	2,26 dm ³
Total surface	7,36 m ²

Fan motor

Type	AC
Fans no.	2
Diameter	254 mm
Power supply	220-240/1/50-60
Defrost	900 W
Speed	1300 rpm
Power consumption	120 W
Current consumption	1 A
Air flow	1137.5 m ³ /h
Air throw	7 m

Technical drawing - RSI2250



Refrigerating capacity table (watt) - Gas :

dT \ Tc	-40°C	-35°C	-30°C	-25°C	-20°C	-15°C	-10°C	-5°C	0°C	2°C	4°C	6°C	8°C	10°C	12°C	15°C
10	1170 (1)	1350 (1)	1560	1740	1910	2070	2160	2310	2490	2530	2570	2610	2650	2710	2840	3035
9	1100 (1)	1270 (1)	1450	1610	1750	1860	1960	2090	2250	2290	2320	2360	2390	2470	2540	2645
8	1020 (1)	1170 (1)	1320	1460	1570	1660	1740	1860	2000	2030	2060	2080	2130	2200	2260	2350
7	930 (1)	1060 (1)	1180	1290	1380	1430	1520	1620	1750	1770	1790	1800	1870	1920	1980	2070
6	830 (1)	930 (1)	1030	1110	1160	1220	1290	1380	1500	1510	1530	1550	1620	1670	1730	1820
5	710 (1)	790 (1)	860	910	960	970	1060	1140	1240	1250	1260	1310	1360	1410	1460	1535

(1) Applicazione fuori dal campo consigliato