



INDICATIVE PHOTO

General features : RDF43503

RDF range unit coolers have been designed to be installed inside cold rooms suited for fresh and frozen goods storage

The main feature of this range is of throwing air from both sides; this allow the unit cooler to be placed in the middle of the cold room ceiling giving a uniform air flow and, as a result, the best product conservation

RDF range is available in two different fan diameters and three types of fin spacing according to the needed application

The ED version is supplied with mounted defrosting heaters and is suitable for being used at low temperature applications

The range consists of two types of coils , both made of aluminium fins and copper tube: 12 mm tube size with a geometry of 37,5 x 32,5, for models with 350 mm fan diameter

The model types having 350 mm fan diameter are made of two different groups: models with 3,5 mm fin spacing suited for cold room temperature (Tc) from -5°C to +15°C; models with 7 mm fin spacing suited for cold room

The coils are tested with nitrogen at a pressure of 25 bar.

The fan motor models in use have the following features:

Manufactured following EN 60335-1 laws, with internal thermal protection

Fan diameter 350mm

Power supply 230V/1/50Hz

Double speed (1070-1360 rpm)

IP44 protection rate

B insulation class

operating temperature -40°C a +45°C

Electrics made in conformity with 2006/95/CE Low Tension directive

The housing is made of aluminium

The manufacturing solutions used give the housing strength and guarantee the absence of vibrations during the functioning.

Screws, washers and nuts are made of stainless steel



INDICATIVE PHOTO

Product file : Unit coolers

Code	RDF43503ED
Model	Ceiling unit c. dual air flow
Range	RDF
Application	HBP
Net weight	69,94 kg
Inlet connection	16 mm-5/8" SAE
Outlet connection	35 mm
Drain connection	1" Gas (33mm)
Ped	0
Rows	4
Fin spacing	3,5
Circuit volume	9,67 dm ³
Total surface	51,1 m ²

Fan motor

Type	AC
Fans no.	4
Diameter	350 mm
Power supply	230/1/50
Defrost	4080 W

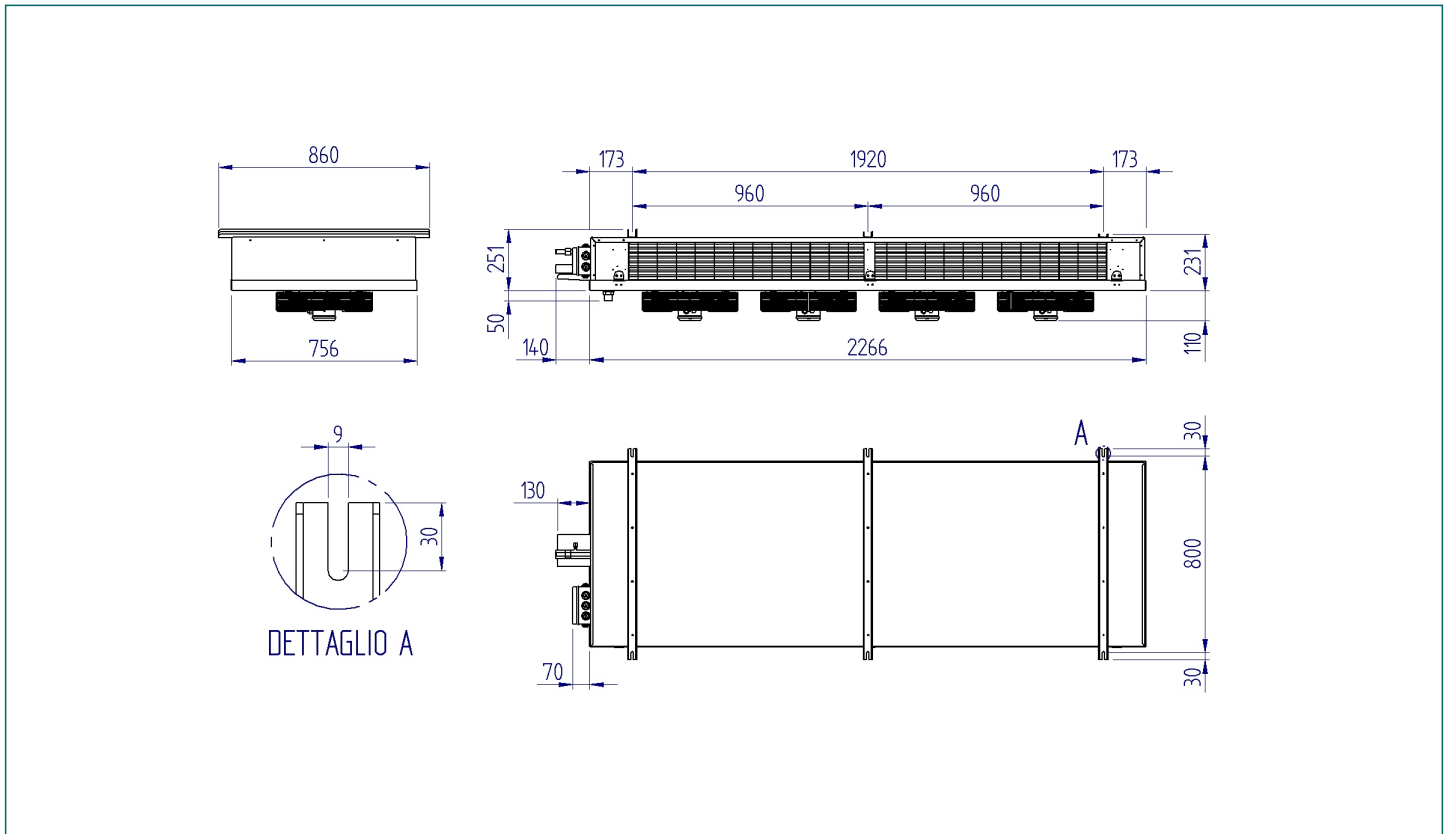
Low speed

Speed	1050 rpm
Power consumption	560 W
Current consumption	2,48 A
Air flow	5670 m ³ /h
Air throw	2x10 m

High speed

Speed	1350 rpm
Power consumption	600 W
Current consumption	2,64 A
Air flow	8050 m ³ /h
Air throw	2x12 m

Technical drawing - RDF43503



Refrigerating capacity table (watt) - Gas :

Low speed

dT \ Tc	-5°C	0°C	2°C	4°C	6°C	8°C	10°C	12°C	15°C
10	11200 (1)	11900 (1)	12000	12100	12200	12300	12400	12700	13150
9	10000 (1)	10600 (1)	10700	10800	10900	11000	11100	11300	11600
8	8780 (1)	9300 (1)	9388	9476	9564	9652	9740	9900	10140
7	7490 (1)	7910 (1)	7982	8054	8126	8198	8270	8410	8620
6	6230 (1)	6620 (1)	6692	6764	6836	6908	6980	7120	7330
5	4960 (1)	5280 (1)	5358	5436	5514	5592	5670	5800	5995

High speed

dT \ Tc	-5°C	0°C	2°C	4°C	6°C	8°C	10°C	12°C	15°C
10	13300 (1)	14100 (1)	14240	14380	14520	14660	14800	15200	15800
9	11900 (1)	12600 (1)	12740	12880	13020	13160	13300	13500	13800
8	10400 (1)	11100 (1)	11200	11300	11400	11500	11600	11700	11850
7	8930 (1)	9420 (1)	9498	9576	9654	9732	9810	9960	10185
6	7420 (1)	7840 (1)	7920	8000	8080	8160	8240	8390	8615
5	5870 (1)	6240 (1)	6322	6404	6486	6568	6650	6790	7000

(1) Applicazione fuori dal campo consigliato