



INDICATIVE PHOTO

## General features : RDF23503

RDF range unit coolers have been designed to be installed inside cold rooms suited for fresh and frozen goods storage

The main feature of this range is of throwing air from both sides; this allow the unit cooler to be placed in the middle of the cold room ceiling giving a uniform air flow and, as a result, the best product conservation

RDF range is available in two different fan diameters and three types of fin spacing according to the needed application

The ED version is supplied with mounted defrosting heaters and is suitable for being used at low temperature applications

The range consists of two types of coils , both made of aluminium fins and copper tube: 12 mm tube size with a geometry of 37,5 x 32,5, for models with 350 mm fan diameter

The model types having 350 mm fan diameter are made of two different groups: models with 3,5 mm fin spacing suited for cold room temperature (Tc) from -5°C to +15°C; models with 7 mm fin spacing suited for cold room

The coils are tested with nitrogen at a pressure of 25 bar.

The fan motor models in use have the following features:

Manufactured following EN 60335-1 laws, with internal thermal protection

Fan diameter 350mm

Power supply 230V/1/50Hz

Double speed (1070-1360 rpm)

IP44 protection rate

B insulation class

operating temperature -40°C a +45°C

Electrics made in conformity with 2006/95/CE Low Tension directive

The housing is made of aluminium

The manufacturing solutions used give the housing strength and guarantee the absence of vibrations during the functioning.

Screws, washers and nuts are made of stainless steel



INDICATIVE PHOTO

## Product file : Unit coolers

Code	RDF23503ED
Model	Ceiling unit c. dual air flow
Range	RDF
Application	HBP
Net weight	41,02 kg
Inlet connection	12 mm-1/2" SAE
Outlet connection	22 mm
Drain connection	1" Gas (33mm)
Ped	0
Rows	4
Fin spacing	3,5
Circuit volume	5,27 dm <sup>3</sup>
Total surface	27,5 m <sup>2</sup>

## Fan motor

Type	AC
Fans no.	2
Diameter	350 mm
Power supply	230/1/50
Defrost	2200 W

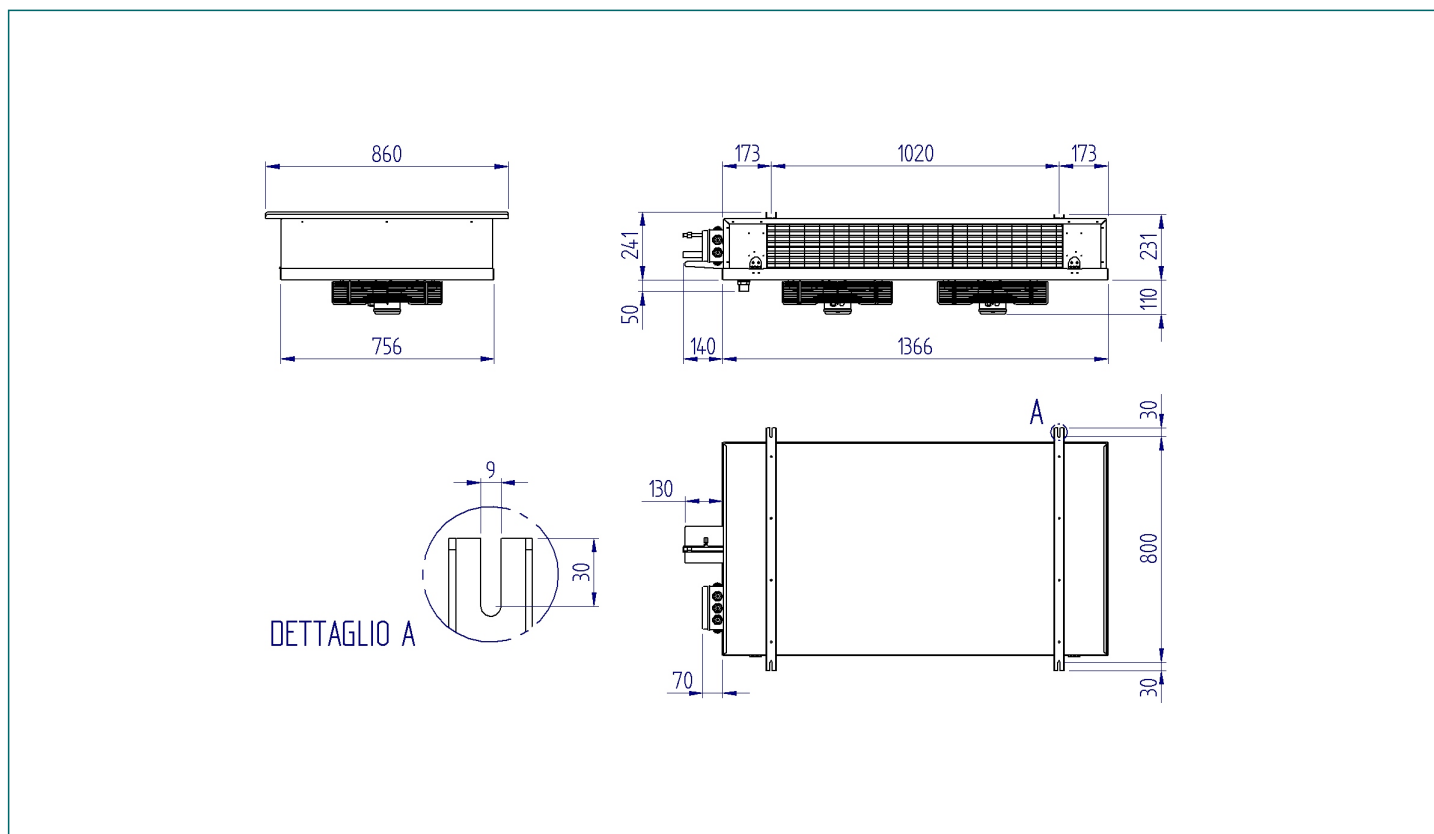
## Low speed

Speed	1050 rpm
Power consumption	280 W
Current consumption	1,24 A
Air flow	3012 m <sup>3</sup> /h
Air throw	2x8 m

## High speed

Speed	1350 rpm
Power consumption	300 W
Current consumption	1,32 A
Air flow	4231.5 m <sup>3</sup> /h
Air throw	2x10 m

## Technical drawing - RDF23503



## Refrigerating capacity table (watt) - Gas :

### Low speed

dT \ Tc	-5°C	0°C	2°C	4°C	6°C	8°C	10°C	12°C	15°C
10	6090 (1)	6390 (1)	6420	6450	6480	6510	6540	6690	6915
9	5390 (1)	5660 (1)	5696	5732	5768	5804	5840	5920	6040
8	4680 (1)	4910 (1)	4940	4970	5000	5030	5060	5130	5235
7	3880 (1)	4070 (1)	4094	4118	4142	4166	4190	4250	4340
6	3190 (1)	3360 (1)	3388	3416	3444	3472	3500	3560	3650
5	2500 (1)	2650 (1)	2682	2714	2746	2778	2810	2870	2960

### High speed

dT \ Tc	-5°C	0°C	2°C	4°C	6°C	8°C	10°C	12°C	15°C
10	7280 (1)	7640 (1)	7670	7700	7730	7760	7790	7980	8265
9	6450 (1)	6760 (1)	6798	6836	6874	6912	6950	7040	7175
8	5590 (1)	5850 (1)	5880	5910	5940	5970	6000	6070	6175
7	4710 (1)	4920 (1)	4942	4964	4986	5008	5030	5090	5180
6	3860 (1)	4040 (1)	4068	4096	4124	4152	4180	4250	4355
5	3000 (1)	3160 (1)	3192	3224	3256	3288	3320	3390	3495

(1) Applicazione fuori dal campo consigliato