



INDICATIVE PHOTO

General features : RDF1250

RDF range unit coolers have been designed to be installed inside cold rooms suited for fresh and frozen goods storage

The main feature of this range is of throwing air from both sides; this allow the unit cooler to be placed in the middle of the cold room ceiling giving a uniform air flow and, as a result, the best product conservation

RDF range is available in two different fan diameters and three types of fin spacing according to the needed application

The ED version is supplied with mounted defrosting heaters and is suitable for being used at low temperature applications

The range consists of two types of coils , both made of aluminium fins and copper tube: 3/8" tube size with a geomet

The model types having 250 mm fan diameter are fitted with a coil of 4,5 mm / 9 mm fin spacing, suited for applications with a cold room temperature (Tc) from -30°C to +10°C

The coils are tested with nitrogen at a pressure of 25 bar.

The fan motor models in use have the following features:

Manufactured following EN 60335-1 laws, with internal thermal protection

Fan diameter 250mm

Power supply 230-240V/1/50-60Hz

IP42 protection rate

Operating temperature from -40°C to +40°C

B insulation class

Electrics made in conformity with 2006/95/CE Low Tension directive

The housing is made of aluminium

The manufacturing solutions used give the housing strength and guarantee the absence of vibrations during the functioning.

Screws, washers and nuts are made of stainless steel



INDICATIVE PHOTO

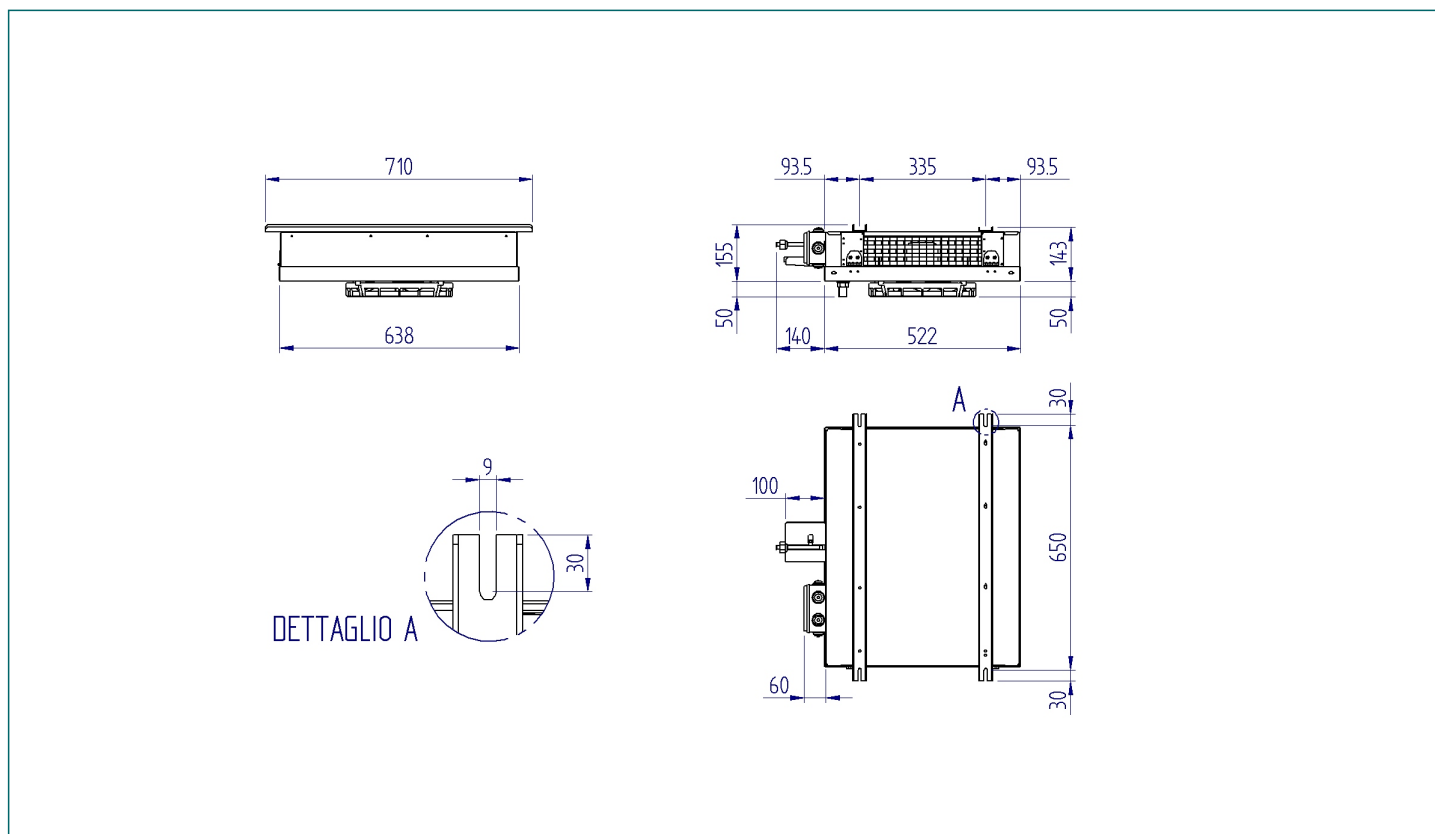
Product file : Unit coolers

Code	RDF1250ED
Model	Ceiling unit c. dual air flow
Range	RDF
Application	MBP
Net weight	12,1 kg
Inlet connection	10 mm - 1/2" SAE
Outlet connection	12 mm
Drain connection	1/2" Gas (20mm)
Ped	0
Rows	4
Fin spacing	4,5 / 9
Circuit volume	1,1 dm ³
Total surface	3,55 m ²

Fan motor

Type	AC
Fans no.	1
Diameter	254 mm
Power supply	220-240/1/50-60
Defrost	800 W
Speed	1300 rpm
Power consumption	60 W
Current consumption	0,5 A
Air flow	483 m ³ /h
Air throw	2x3 m

Technical drawing - RDF1250



Refrigerating capacity table (watt) - Gas :

dT \ Tc	-40°C	-35°C	-30°C	-25°C	-20°C	-15°C	-10°C	-5°C	0°C	2°C	4°C	6°C	8°C	10°C	12°C	15°C
10	734 ⁽¹⁾	805 ⁽¹⁾	873	930	961	1000	1030	1080	1150	1160	1170	1190	1200	1220	1250	1295
9	674 ⁽¹⁾	735 ⁽¹⁾	792	824	860	896	918	966	1030	1040	1050	1060	1080	1100	1130	1175
8	608 ⁽¹⁾	660 ⁽¹⁾	704	727	757	773	805	846	902	910	920	930	940	967	992	1030
7	536 ⁽¹⁾	576 ⁽¹⁾	608	626	649	661	689	725	770	780	790	800	813	833	854	886
6	458 ⁽¹⁾	487 ⁽¹⁾	504	522	540	551	575	608	650	660	670	680	693	713	734	766
5	374 ⁽¹⁾	388 ⁽¹⁾	403	417	423	440	461	490	531	540	550	560	571	590	610	640

(1) Applicazione fuori dal campo consigliato