



INDICATIVE PHOTO

## General features : RCS4250606

RCS range unit coolers have been designed to be installed inside cold rooms suited for fresh and frozen goods storage

Their shape, being extremely compact, make their installation possible also in cold rooms having very small dimensions

RCS range is available in different combinations of fan spacing dimensions and tube rows properly sized according to the needed applications.

The ED version is supplied with mounted defrosting heaters and is suitable for being used at low temperature applications.

The fan motors operate in the suction mode and prevent the condensate forming on the fan

The coil is made of aluminium fins, 12 mm copper tube and a geometry of 37,5 x 32,5

RCS unit coolers can be classified in three groups according to the needed cold room temperature (Tc): 4mm fin spacing for a Tc from -5°C to +15°C; 6mm fin spacing for a Tc from -20°C to +15°C; 8mm fin spacing for a Tc from -40°C to +4°C

Each fin spacing group is also available with 4 and 6 rows.

The coils are tested with nitrogen at a pressure of 25 bar.

The fan motor models in use have the following features:

Manufactured following EN 60335-1 laws, with internal thermal protection

Fan diameter 250mm

Power supply 230-240V/1/50-60Hz

IP44 protection rate

F insulation class

Operating temperature from -40°C to +40°C

Electrics made in conformity with 2006/95/CE Low Tension directive

The housing is made of aluminium

The manufacturing solutions used give the housing strength and guarantee the absence of vibrations during the functioning.

Screws, washers and nuts are made of stainless steel



INDICATIVE PHOTO

## Product file : Unit coolers

Code	RCS4250606ED
Model	Ceiling cubic unit cooler
Range	RCS
Application	MBP
Net weight	43 kg
Inlet connection	16 mm-5/8" SAE
Outlet connection	28 mm
Drain connection	1" Gas (33mm)
Ped	0
Rows	6
Fin spacing	6
Circuit volume	9,1 dm <sup>3</sup>
Total surface	28,5 m <sup>2</sup>

## Fan motor

Type	AC
Fans no.	4
Diameter	254 mm
Power supply	230/1/50
Defrost	2700 W
Speed	1300 rpm
Power consumption	320 W
Current consumption	1,4 A
Air flow	3149 m <sup>3</sup> /h
Air throw	14 m

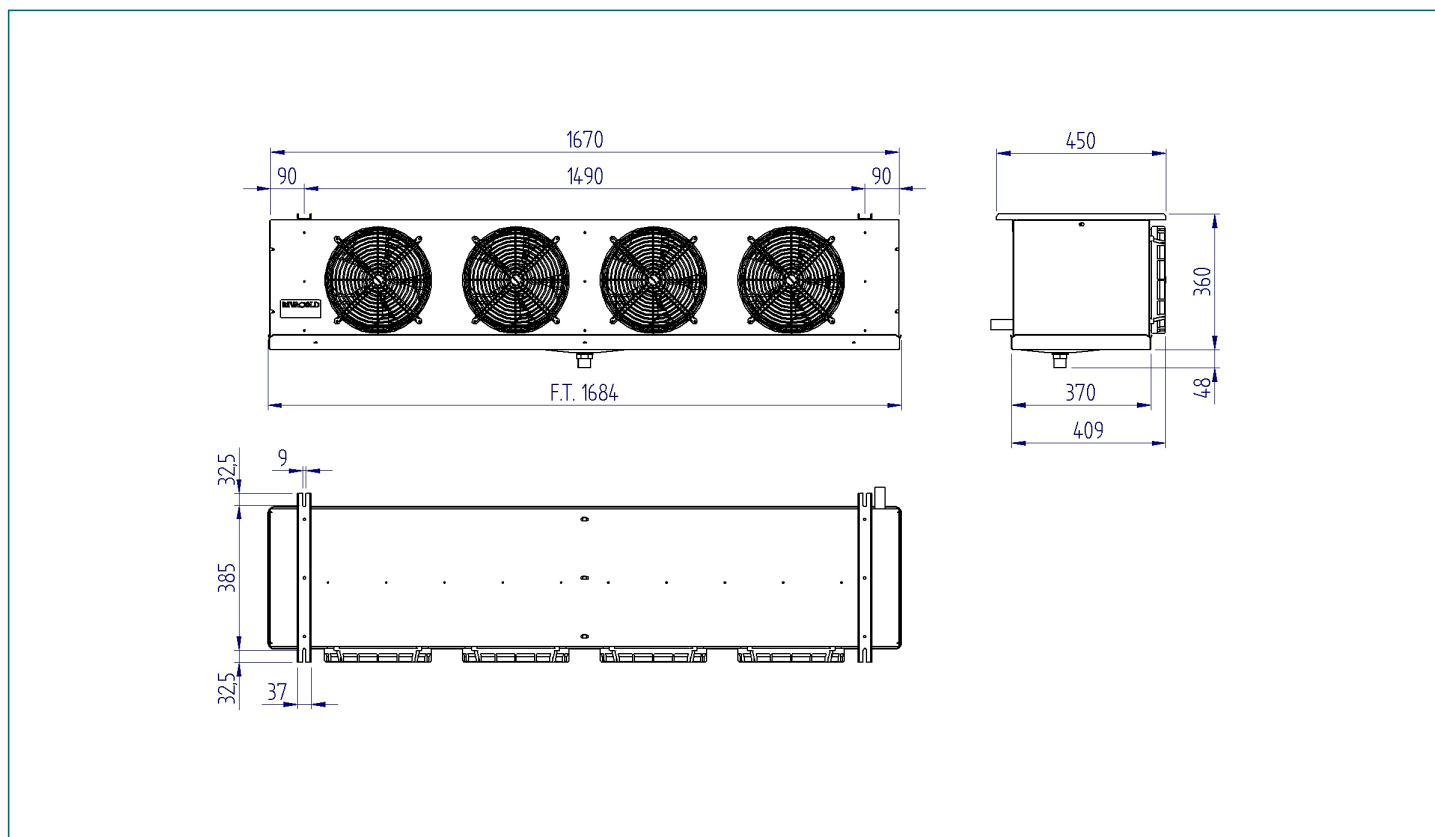
## Data for selection

Cold room temp.	0°C
T delta	8
Gas	
Units no.	1
Requested capacity	5500 W

## Search results

Total capacity	5600 W
Tolerance	+1,8%
Calculated td	7
Speed	1300 rpm

## Technical drawing - RCS4250606



## Refrigerating capacity table (watt) - Gas :

dT \ Tc	-20°C	-15°C	-10°C	-5°C	0°C	2°C	4°C	6°C	8°C	10°C	12°C	15°C
10	5270 <sup>(1)</sup>	5740	6090	6520	6990	7100	7200	7290	7380	7520	7750	8095
9	4840 <sup>(1)</sup>	5220	5520	5890	6310	6400	6470	6550	6620	6830	6980	7205
8	4350 <sup>(1)</sup>	4600	4910	5230	5600	5660	5710	5770	5860	6050	6190	6400
7	3820 <sup>(1)</sup>	4020	4270	4540	4860	4890	4930	5020	5120	5240	5360	5540
6	3270 <sup>(1)</sup>	3410	3610	3850	4140	4160	4180	4230	4390	4510	4630	4810
5	2620 <sup>(1)</sup>	2780	2940	3140	3400	3440	3490	3540	3650	3760	3880	4060

(1) Applicazione fuori dal campo consigliato