



INDICATIVE PHOTO

General features : RCS4250408

RCS range unit coolers have been designed to be installed inside cold rooms suited for fresh and frozen goods storage

Their shape, being extremely compact, make their installation possible also in cold rooms having very small dimensions

RCS range is available in different combinations of fan spacing dimensions and tube rows properly sized according to the needed applications.

The ED version is supplied with mounted defrosting heaters and is suitable for being used at low temperature applications.

The fan motors operate in the suction mode and prevent the condensate forming on the fan

The coil is made of aluminium fins, 12 mm copper tube and a geometry of 37,5 x 32,5

RCS unit coolers can be classified in three groups according to the needed cold room temperature (Tc): 4mm fin spacing for a Tc from -5°C to +15°C; 6mm fin spacing for a Tc from -20°C to +15°C; 8mm fin spacing for a Tc from -40°C to +4°C

Each fin spacing group is also available with 4 and 6 rows.

The coils are tested with nitrogen at a pressure of 25 bar.

The fan motor models in use have the following features:

Manufactured following EN 60335-1 laws, with internal thermal protection

Fan diameter 250mm

Power supply 230-240V/1/50-60Hz

IP44 protection rate

F insulation class

Operating temperature from -40°C to +40°C

Electrics made in conformity with 2006/95/CE Low Tension directive

The housing is made of aluminium

The manufacturing solutions used give the housing strength and guarantee the absence of vibrations during the functioning.

Screws, washers and nuts are made of stainless steel



INDICATIVE PHOTO

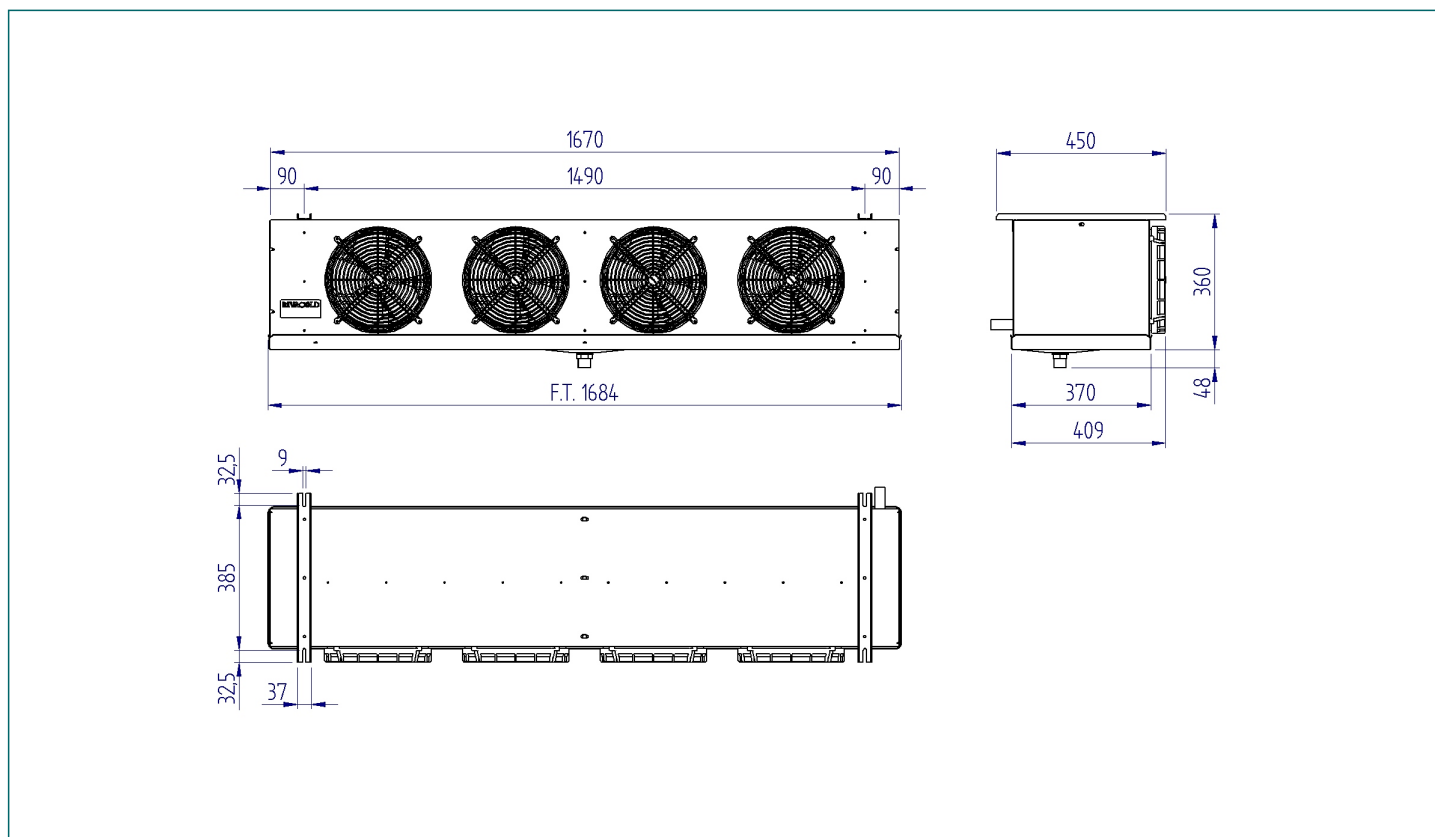
Product file : Unit coolers

Code	RCS4250408ED
Model	Ceiling cubic unit cooler
Range	RCS
Application	LBP
Net weight	39,4 kg
Inlet connection	16 mm-5/8" SAE
Outlet connection	28 mm
Drain connection	1" Gas (33mm)
Ped	0
Rows	4
Fin spacing	8
Circuit volume	6,05 dm ³
Total surface	14,8 m ²

Fan motor

Type	AC
Fans no.	4
Diameter	254 mm
Power supply	230/1/50
Defrost	2700 W
Speed	1300 rpm
Power consumption	320 W
Current consumption	1,4 A
Air flow	3929 m ³ /h
Air throw	15 m

Technical drawing - RCS4250408



Refrigerating capacity table (watt) - Gas :

dT \ Tc	-40°C	-35°C	-30°C	-25°C	-20°C	-15°C	-10°C	-5°C	0°C	2°C	4°C
10	3140	3490	3840	4100	4330	4530	4720	4930	5170	5200	5220
9	2930	3190	3450	3680	3870	4030	4200	4370	4590	4610	4620
8	2610	2840	3070	3240	3390	3520	3650	3810	4000	4030	4060
7	2300	2480	2660	2780	2890	2990	3100	3240	3400	3420	3440
6	1990	2100	2210	2310	2390	2470	2560	2680	2840	2860	2880
5	1600	1680	1760	1820	1880	1920	2000	2100	2240	2260	2280