



INDICATIVE PHOTO

General features : RCS4250406

RCS range unit coolers have been designed to be installed inside cold rooms suited for fresh and frozen goods storage

Their shape, being extremely compact, make their installation possible also in cold rooms having very small dimensions

RCS range is available in different combinations of fan spacing dimensions and tube rows properly sized according to the needed applications.

The ED version is supplied with mounted defrosting heaters and is suitable for being used at low temperature applications.

The fan motors operate in the suction mode and prevent the condensate forming on the fan

The coil is made of aluminium fins, 12 mm copper tube and a geometry of 37,5 x 32,5

RCS unit coolers can be classified in three groups according to the needed cold room temperature (Tc): 4mm fin spacing for a Tc from -5°C to +15°C; 6mm fin spacing for a Tc from -20°C to +15°C; 8mm fin spacing for a Tc from -40°C to +4°C

Each fin spacing group is also available with 4 and 6 rows.

The coils are tested with nitrogen at a pressure of 25 bar.

The fan motor models in use have the following features:

Manufactured following EN 60335-1 laws, with internal thermal protection

Fan diameter 250mm

Power supply 230-240V/1/50-60Hz

IP44 protection rate

F insulation class

Operating temperature from -40°C to +40°C

Electrics made in conformity with 2006/95/CE Low Tension directive

The housing is made of aluminium

The manufacturing solutions used give the housing strength and guarantee the absence of vibrations during the functioning.

Screws, washers and nuts are made of stainless steel



INDICATIVE PHOTO

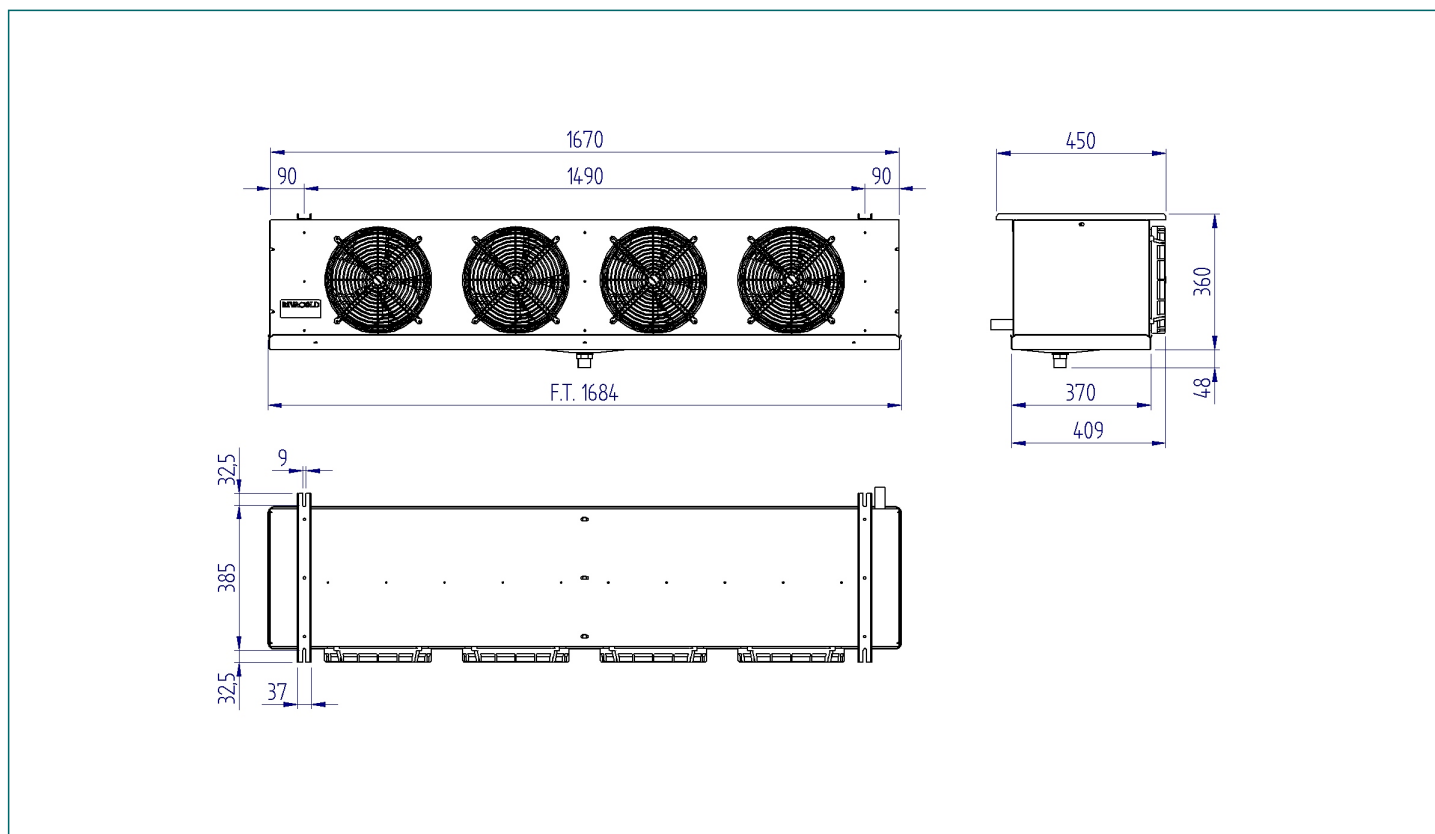
Product file : Unit coolers

Code	RCS4250406ED
Model	Ceiling cubic unit cooler
Range	RCS
Application	MBP
Net weight	40,6 kg
Inlet connection	16 mm-5/8" SAE
Outlet connection	28 mm
Drain connection	1" Gas (33mm)
Ped	0
Rows	4
Fin spacing	6
Circuit volume	6,05 dm ³
Total surface	19 m ²

Fan motor

Type	AC
Fans no.	4
Diameter	254 mm
Power supply	230/1/50
Defrost	2700 W
Speed	1300 rpm
Power consumption	320 W
Current consumption	1,4 A
Air flow	3582 m ³ /h
Air throw	15 m

Technical drawing - RCS4250406



Refrigerating capacity table (watt) - Gas :

dT \ Tc	-20°C	-15°C	-10°C	-5°C	0°C	2°C	4°C	6°C	8°C	10°C	12°C	15°C
10	4850 ⁽¹⁾	5110	5360	5550	5840	5880	5910	5950	5960	6030	6180	6405
9	4350 ⁽¹⁾	4560	4710	4930	5190	5220	5230	5270	5340	5410	5500	5635
8	3820 ⁽¹⁾	3990	4100	4300	4530	4560	4590	4630	4670	4710	4790	4910
7	3270 ⁽¹⁾	3400	3490	3650	3840	3860	3880	3900	3930	4000	4070	4175
6	2700 ⁽¹⁾	2770	2880	3020	3200	3220	3250	3280	3310	3370	3440	3545
5	2100 ⁽¹⁾	2180	2270	2390	2550	2560	2580	2610	2670	2740	2810	2915

(1) Applicazione fuori dal campo consigliato