



INDICATIVE PHOTO

General features : RCS3250406

RCS range unit coolers have been designed to be installed inside cold rooms suited for fresh and frozen goods storage

Their shape, being extremely compact, make their installation possible also in cold rooms having very small dimensions

RCS range is available in different combinations of fan spacing dimensions and tube rows properly sized according to the needed applications.

The ED version is supplied with mounted defrosting heaters and is suitable for being used at low temperature applications.

The fan motors operate in the suction mode and prevent the condensate forming on the fan

The coil is made of aluminium fins, 12 mm copper tube and a geometry of 37,5 x 32,5

RCS unit coolers can be classified in three groups according to the needed cold room temperature (Tc): 4mm fin spacing for a Tc from -5°C to +15°C; 6mm fin spacing for a Tc from -20°C to +15°C; 8mm fin spacing for a Tc from -40°C to +4°C

Each fin spacing group is also available with 4 and 6 rows.

The coils are tested with nitrogen at a pressure of 25 bar.

The fan motor models in use have the following features:

Manufactured following EN 60335-1 laws, with internal thermal protection

Fan diameter 250mm

Power supply 230-240V/1/50-60Hz

IP44 protection rate

F insulation class

Operating temperature from -40°C to +40°C

Electrics made in conformity with 2006/95/CE Low Tension directive

The housing is made of aluminium

The manufacturing solutions used give the housing strength and guarantee the absence of vibrations during the functioning.

Screws, washers and nuts are made of stainless steel



INDICATIVE PHOTO

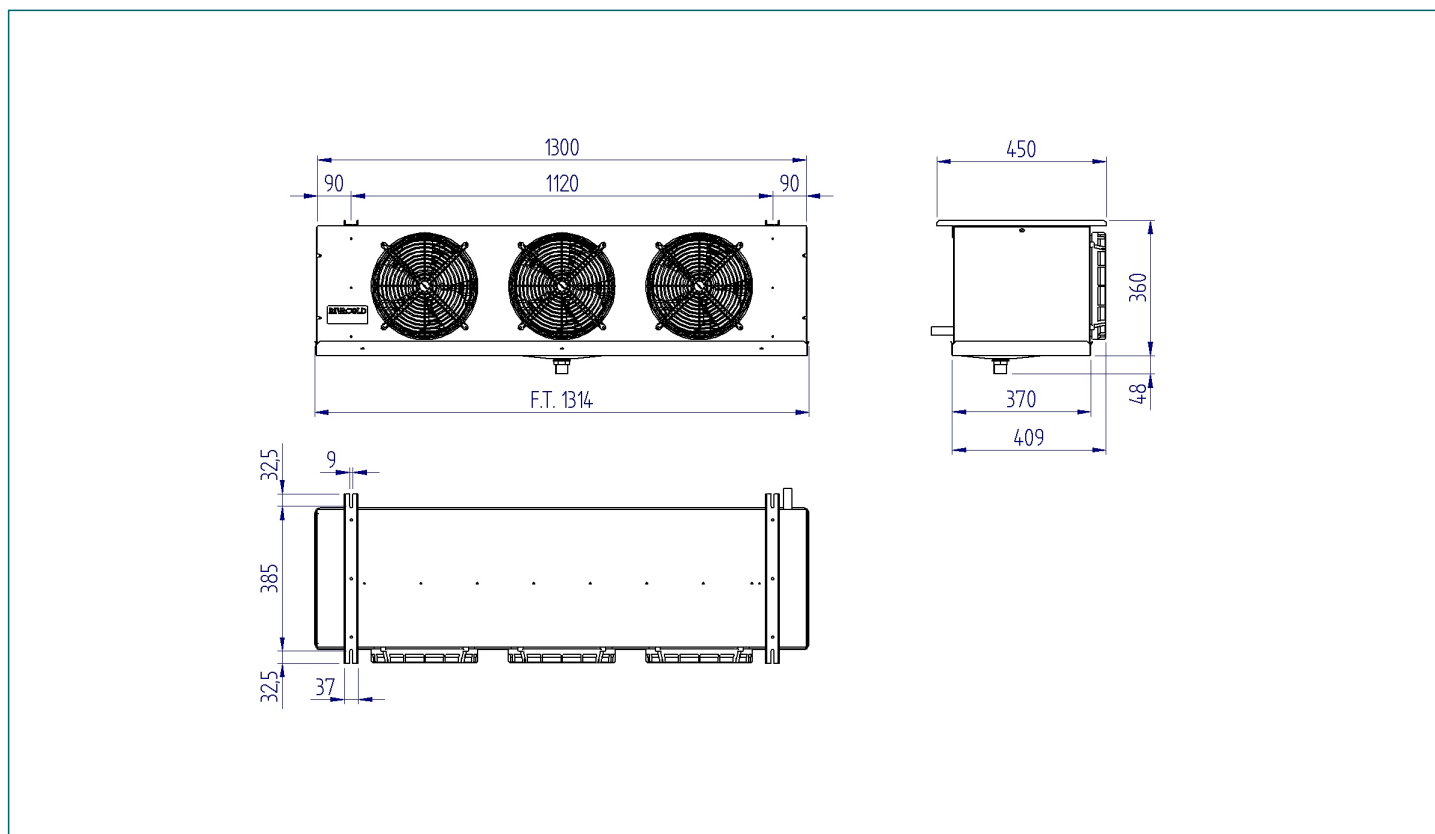
Product file : Unit coolers

Code	RCS3250406ED
Model	Ceiling cubic unit cooler
Range	RCS
Application	MBP
Net weight	29,8 kg
Inlet connection	12 mm-1/2" SAE
Outlet connection	22 mm
Drain connection	1" Gas (33mm)
Ped	0
Rows	4
Fin spacing	6
Circuit volume	4,61 dm ³
Total surface	14,3 m ²

Fan motor

Type	AC
Fans no.	3
Diameter	254 mm
Power supply	230/1/50
Defrost	1950 W
Speed	1300 rpm
Power consumption	240 W
Current consumption	1,05 A
Air flow	2752 m ³ /h
Air throw	13 m

Technical drawing - RCS3250406



Refrigerating capacity table (watt) - Gas :

dT \ Tc	-20°C	-15°C	-10°C	-5°C	0°C	2°C	4°C	6°C	8°C	10°C	12°C	15°C
10	3620 ⁽¹⁾	3820	4010	4150	4430	4460	4490	4520	4530	4580	4700	4880
9	3240 ⁽¹⁾	3410	3520	3690	3890	3910	3920	3950	4000	4050	4120	4225
8	2850 ⁽¹⁾	2980	3070	3220	3390	3410	3430	3450	3480	3530	3590	3680
7	2440 ⁽¹⁾	2540	2610	2740	2880	2890	2910	2930	2950	3000	3050	3125
6	2020 ⁽¹⁾	2080	2160	2270	2400	2420	2440	2460	2480	2530	2580	2655
5	1590 ⁽¹⁾	1630	1700	1800	1910	1920	1940	1960	2010	2060	2110	2185

(1) Applicazione fuori dal campo consigliato