



INDICATIVE PHOTO

## General features : RCS2250406

RCS range unit coolers have been designed to be installed inside cold rooms suited for fresh and frozen goods storage

Their shape, being extremely compact, make their installation possible also in cold rooms having very small dimensions

RCS range is available in different combinations of fan spacing dimensions and tube rows properly sized according to the needed applications.

The ED version is supplied with mounted defrosting heaters and is suitable for being used at low temperature applications.

The fan motors operate in the suction mode and prevent the condensate forming on the fan

The coil is made of aluminium fins, 12 mm copper tube and a geometry of 37,5 x 32,5

RCS unit coolers can be classified in three groups according to the needed cold room temperature (Tc): 4mm fin spacing for a Tc from -5°C to +15°C; 6mm fin spacing for a Tc from -20°C to +15°C; 8mm fin spacing for a Tc from -40°C to +4°C

Each fin spacing group is also available with 4 and 6 rows.

The coils are tested with nitrogen at a pressure of 25 bar.

The fan motor models in use have the following features:

Manufactured following EN 60335-1 laws, with internal thermal protection

Fan diameter 250mm

Power supply 230-240V/1/50-60Hz

IP44 protection rate

F insulation class

Operating temperature from -40°C to +40°C

Electrics made in conformity with 2006/95/CE Low Tension directive

The housing is made of aluminium

The manufacturing solutions used give the housing strength and guarantee the absence of vibrations during the functioning.

Screws, washers and nuts are made of stainless steel



INDICATIVE PHOTO

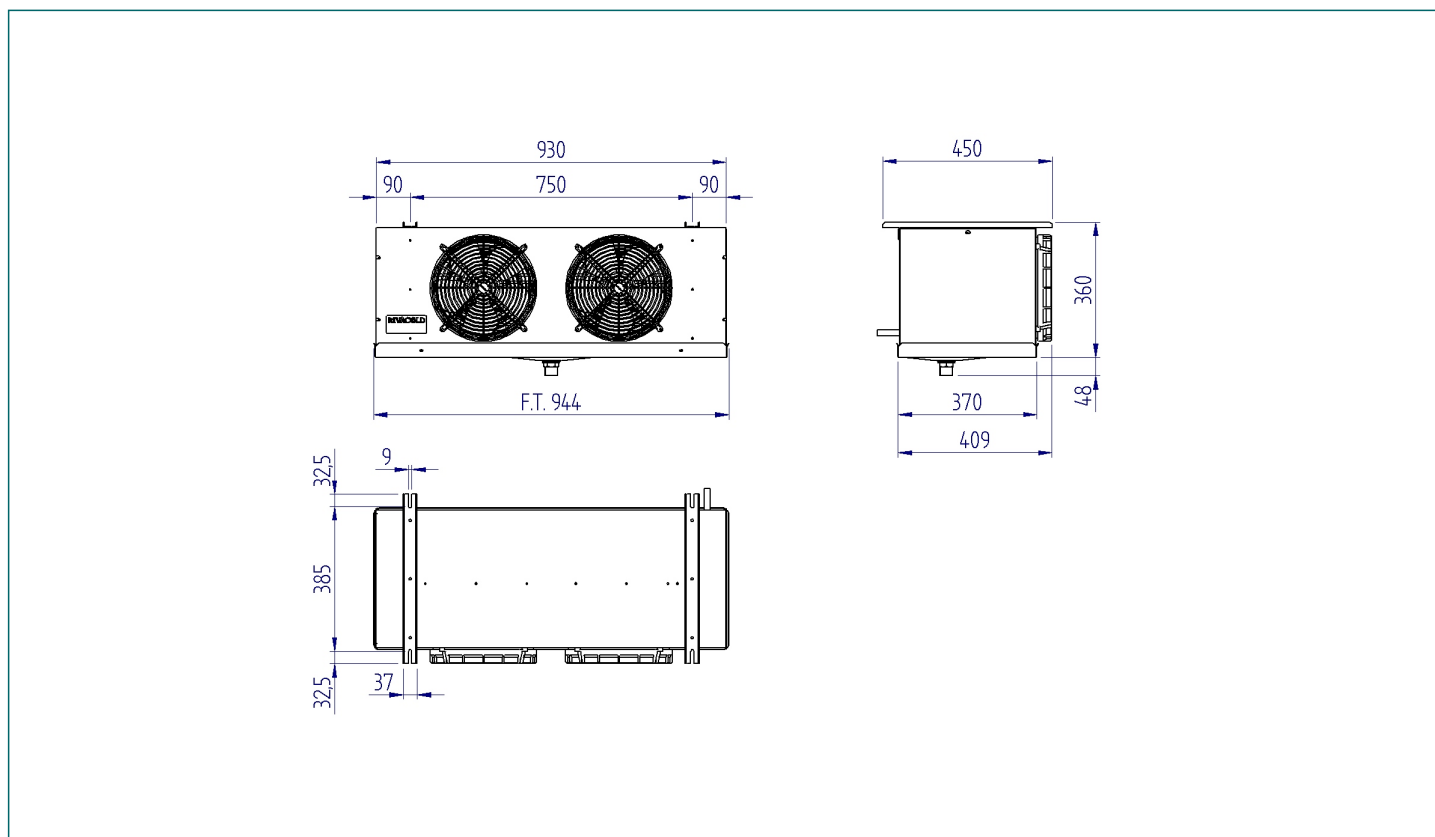
### Product file : Unit coolers

|                   |                           |
|-------------------|---------------------------|
| Code              | RCS2250406ED              |
| Model             | Ceiling cubic unit cooler |
| Range             | RCS                       |
| Application       | MBP                       |
| Net weight        | 22 kg                     |
| Inlet connection  | 12 mm-1/2" SAE            |
| Outlet connection | 16 mm                     |
| Drain connection  | 1" Gas (33mm)             |
| Ped               | 0                         |
| Rows              | 4                         |
| Fin spacing       | 6                         |
| Circuit volume    | 3,16 dm <sup>3</sup>      |
| Total surface     | 9,6 m <sup>2</sup>        |

### Fan motor

|                     |                        |
|---------------------|------------------------|
| Type                | AC                     |
| Fans no.            | 2                      |
| Diameter            | 254 mm                 |
| Power supply        | 230/1/50               |
| Defrost             | 1350 W                 |
| Speed               | 1300 rpm               |
| Power consumption   | 160 W                  |
| Current consumption | 0,7 A                  |
| Air flow            | 1835 m <sup>3</sup> /h |
| Air throw           | 10 m                   |

## Technical drawing - RCS2250406



## Refrigerating capacity table (watt) - Gas :

| dT \ Tc | -20°C               | -15°C | -10°C | -5°C | 0°C  | 2°C  | 4°C  | 6°C  | 8°C  | 10°C | 12°C | 15°C |
|---------|---------------------|-------|-------|------|------|------|------|------|------|------|------|------|
| 10      | 2380 <sup>(1)</sup> | 2520  | 2660  | 2790 | 2950 | 2970 | 2990 | 3010 | 3030 | 3050 | 3130 | 3250 |
| 9       | 2140 <sup>(1)</sup> | 2260  | 2370  | 2490 | 2620 | 2640 | 2660 | 2680 | 2710 | 2740 | 2780 | 2840 |
| 8       | 1880 <sup>(1)</sup> | 1980  | 2040  | 2140 | 2260 | 2270 | 2290 | 2310 | 2330 | 2360 | 2400 | 2460 |
| 7       | 1620 <sup>(1)</sup> | 1690  | 1740  | 1820 | 1920 | 1930 | 1940 | 1950 | 1970 | 2000 | 2040 | 2100 |
| 6       | 1340 <sup>(1)</sup> | 1380  | 1440  | 1510 | 1600 | 1610 | 1620 | 1640 | 1660 | 1690 | 1720 | 1765 |
| 5       | 1060 <sup>(1)</sup> | 1090  | 1140  | 1200 | 1280 | 1290 | 1300 | 1310 | 1340 | 1370 | 1410 | 1470 |

(1) Applicazione fuori dal campo consigliato