



INDICATIVE PHOTO

General features : RCMR4350608

RCMR ø350 range unit coolers have been designed to be installed inside cold rooms suited for fresh and frozen goods storage

This range completes the RC and RCS range applications and though having extremely compact dimensions, reaches bigger capacities suited for medium size cold rooms

RCMR ø350 range is available in different combinations of fin spacing dimensions and tube rows properly sized according to the needed applications

The ED version is supplied with mounted defrosting heaters and is suitable for being used at low temperature applications

The fan motors operate in the suction mode and prevent the condensate forming on the fan

The coil is made of aluminium fins, 12 mm copper tube and a geometry of 37,5 x 32,5

RCMR ø350 unit coolers can be classified in three groups according to the needed cold room temperature (Tc): 4mm fin spacing for a Tc from -5°C to +15°C; 6mm fin spacing for a Tc from -20°C to +15°C; 8mm fin spacing for a Tc from -40°C to +4°C.

The coils are tested with nitrogen at a pressure of 25 bar.

The fan motor models in use have the following features:

Manufactured following EN 60335-1 laws, with internal thermal protection

Fan diameter 350 mm, external rotor

Power supply 230-240V/1/50-60Hz

IP44 protection rate

F insulation class

operating temperature -40°C a +65°C

Electrics made in conformity with 2006/95/CE Low Tension directive

The housing is made of aluminium

The manufacturing solutions used give the housing strength and guarantee the absence of vibrations during the functioning.

Screws, washers and nuts are made of stainless steel



INDICATIVE PHOTO

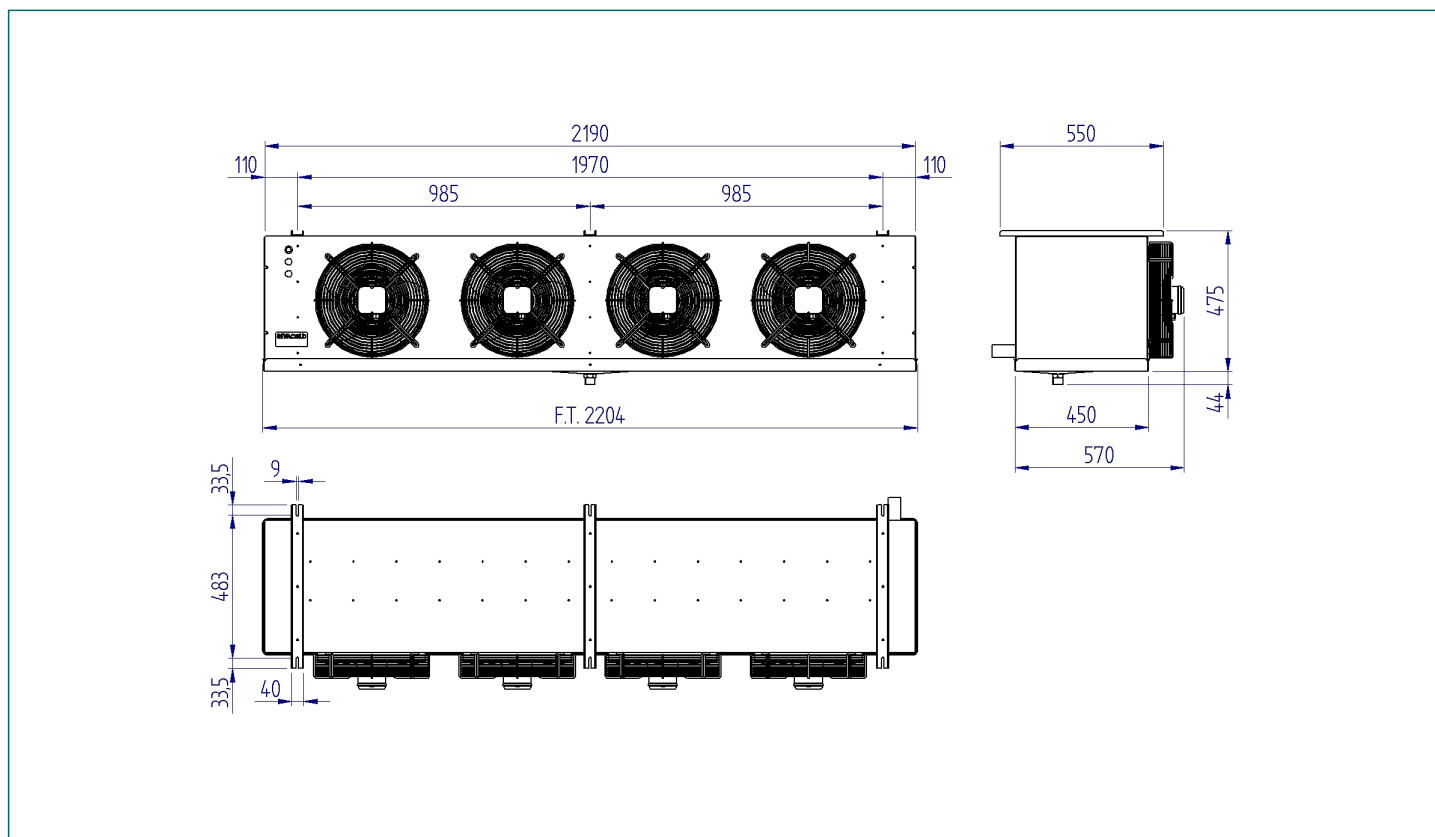
Product file : Unit coolers

Code	RCMR4350608ED
Model	Ceiling cubic unit cooler
Range	RCMR
Application	LBP
Net weight	78,7 kg
Inlet connection	28 mm
Outlet connection	42 mm
Drain connection	1" Gas (33mm)
Ped	0
Rows	6
Fin spacing	8
Circuit volume	14,3 dm ³
Total surface	36,2 m ²

Fan motor

Type	AC
Fans no.	4
Diameter	350 mm
Power supply	230/1/50-60
Defrost	6700 W
Speed	1400 rpm
Power consumption	520 W
Current consumption	2,32 A
Air flow	8662.5 m ³ /h
Air throw	23 m

Technical drawing - RCMR4350608



Refrigerating capacity table (watt) - Gas :

dT \ Tc	-40°C	-35°C	-30°C	-25°C	-20°C	-15°C	-10°C	-5°C	0°C	2°C	4°C
10	11200 (1)	12300	13400	14300	14900	15600	16200	16900	17800	18100	18200
9	10400 (1)	11400	12400	13100	13600	14100	14700	15400	16300	16500	16600
8	9610 (1)	10500	11300	11700	12200	12700	13200	13800	14700	14800	14900
7	8700 (1)	9440	10100	10400	10800	11200	11600	12200	13000	13100	13200
6	7720 (1)	8290	8680	9020	9350	9700	10100	10700	11400	11500	11600
5	6650 (1)	7010	7340	7600	7850	8160	8560	9090	9780	9860	10000

(1) Applicazione fuori dal campo consigliato