



INDICATIVE PHOTO

## General features : RCMR4350606

RCMR ø350 range unit coolers have been designed to be installed inside cold rooms suited for fresh and frozen goods storage

This range completes the RC and RCS range applications and though having extremely compact dimensions, reaches bigger capacities suited for medium size cold rooms

RCMR ø350 range is available in different combinations of fin spacing dimensions and tube rows properly sized according to the needed applications

The ED version is supplied with mounted defrosting heaters and is suitable for being used at low temperature applications

The fan motors operate in the suction mode and prevent the condensate forming on the fan

The coil is made of aluminium fins, 12 mm copper tube and a geometry of 37,5 x 32,5

RCMR ø350 unit coolers can be classified in three groups according to the needed cold room temperature (Tc): 4mm fin spacing for a Tc from -5°C to +15°C; 6mm fin spacing for a Tc from -20°C to +15°C; 8mm fin spacing for a Tc from -40°C to +4°C.

The coils are tested with nitrogen at a pressure of 25 bar.

The fan motor models in use have the following features:

Manufactured following EN 60335-1 laws, with internal thermal protection

Fan diameter 350 mm, external rotor

Power supply 230-240V/1/50-60Hz

IP44 protection rate

F insulation class

operating temperature -40°C a +65°C

Electrics made in conformity with 2006/95/CE Low Tension directive

The housing is made of aluminium

The manufacturing solutions used give the housing strength and guarantee the absence of vibrations during the functioning.

Screws, washers and nuts are made of stainless steel



INDICATIVE PHOTO

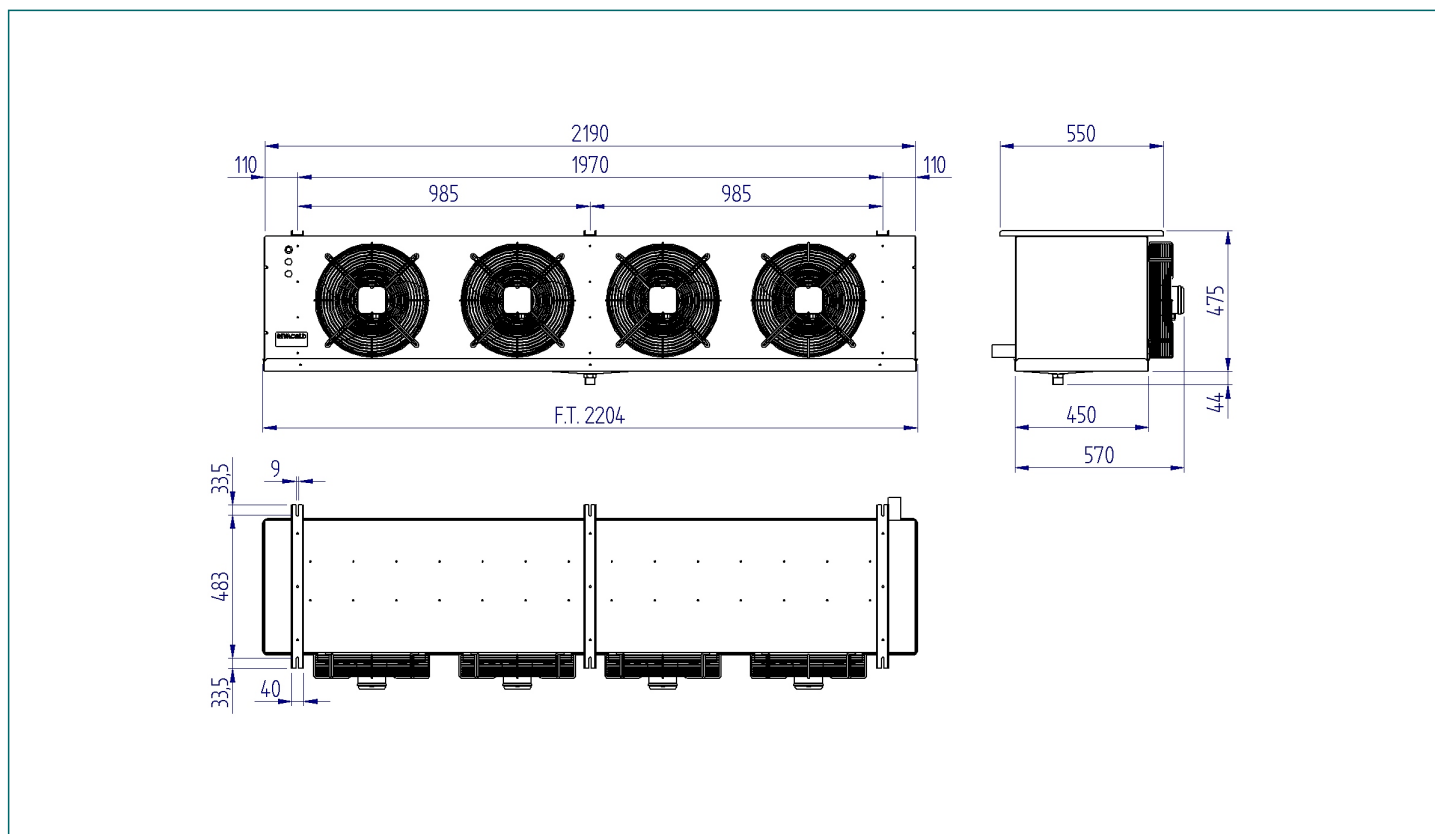
## Product file : Unit coolers

Code	RCMR4350606ED
Model	Ceiling cubic unit cooler
Range	RCMR
Application	MBP
Net weight	81,6 kg
Inlet connection	28 mm
Outlet connection	42 mm
Drain connection	1" Gas (33mm)
Ped	0
Rows	6
Fin spacing	6
Circuit volume	14,3 dm <sup>3</sup>
Total surface	46,7 m <sup>2</sup>

## Fan motor

Type	AC
Fans no.	4
Diameter	350 mm
Power supply	230/1/50-60
Defrost	6700 W
Speed	1400 rpm
Power consumption	520 W
Current consumption	2,32 A
Air flow	7987.5 m <sup>3</sup> /h
Air throw	21 m

## Technical drawing - RCMR4350606



## Refrigerating capacity table (watt) - Gas :

dT \ Tc	-20°C	-15°C	-10°C	-5°C	0°C	2°C	4°C	6°C	8°C	10°C	12°C	15°C
10	16300 <sup>(1)</sup>	17100	17900	18800	19900	20100	20400	20600	20900	21200	21700	22450
9	14900 <sup>(1)</sup>	15600	16300	17100	18100	18400	18500	18700	19000	19500	19900	20500
8	13400 <sup>(1)</sup>	14000	14600	15400	16300	16500	16700	16900	17100	17600	18000	18600
7	11900 <sup>(1)</sup>	12400	12800	13400	14300	14400	14600	14800	15100	15500	15900	16500
6	10300 <sup>(1)</sup>	10600	11100	11700	12600	12700	12800	13000	13400	13800	14200	14800
5	8700 <sup>(1)</sup>	8950	9390	10000	10800	10900	11000	11300	11700	12100	12500	13100

(1) Applicazione fuori dal campo consigliato