



INDICATIVE PHOTO

General features : RCMR3350608

RCMR ø350 range unit coolers have been designed to be installed inside cold rooms suited for fresh and frozen goods storage

This range completes the RC and RCS range applications and though having extremely compact dimensions, reaches bigger capacities suited for medium size cold rooms

RCMR ø350 range is available in different combinations of fin spacing dimensions and tube rows properly sized according to the needed applications

The ED version is supplied with mounted defrosting heaters and is suitable for being used at low temperature applications

The fan motors operate in the suction mode and prevent the condensate forming on the fan

The coil is made of aluminium fins, 12 mm copper tube and a geometry of 37,5 x 32,5

RCMR ø350 unit coolers can be classified in three groups according to the needed cold room temperature (Tc): 4mm fin spacing for a Tc from -5°C to +15°C; 6mm fin spacing for a Tc from -20°C to +15°C; 8mm fin spacing for a Tc from -40°C to +4°C.

The coils are tested with nitrogen at a pressure of 25 bar.

The fan motor models in use have the following features:

Manufactured following EN 60335-1 laws, with internal thermal protection

Fan diameter 350 mm, external rotor

Power supply 230-240V/1/50-60Hz

IP44 protection rate

F insulation class

operating temperature -40°C a +65°C

Electrics made in conformity with 2006/95/CE Low Tension directive

The housing is made of aluminium

The manufacturing solutions used give the housing strength and guarantee the absence of vibrations during the functioning.

Screws, washers and nuts are made of stainless steel



INDICATIVE PHOTO

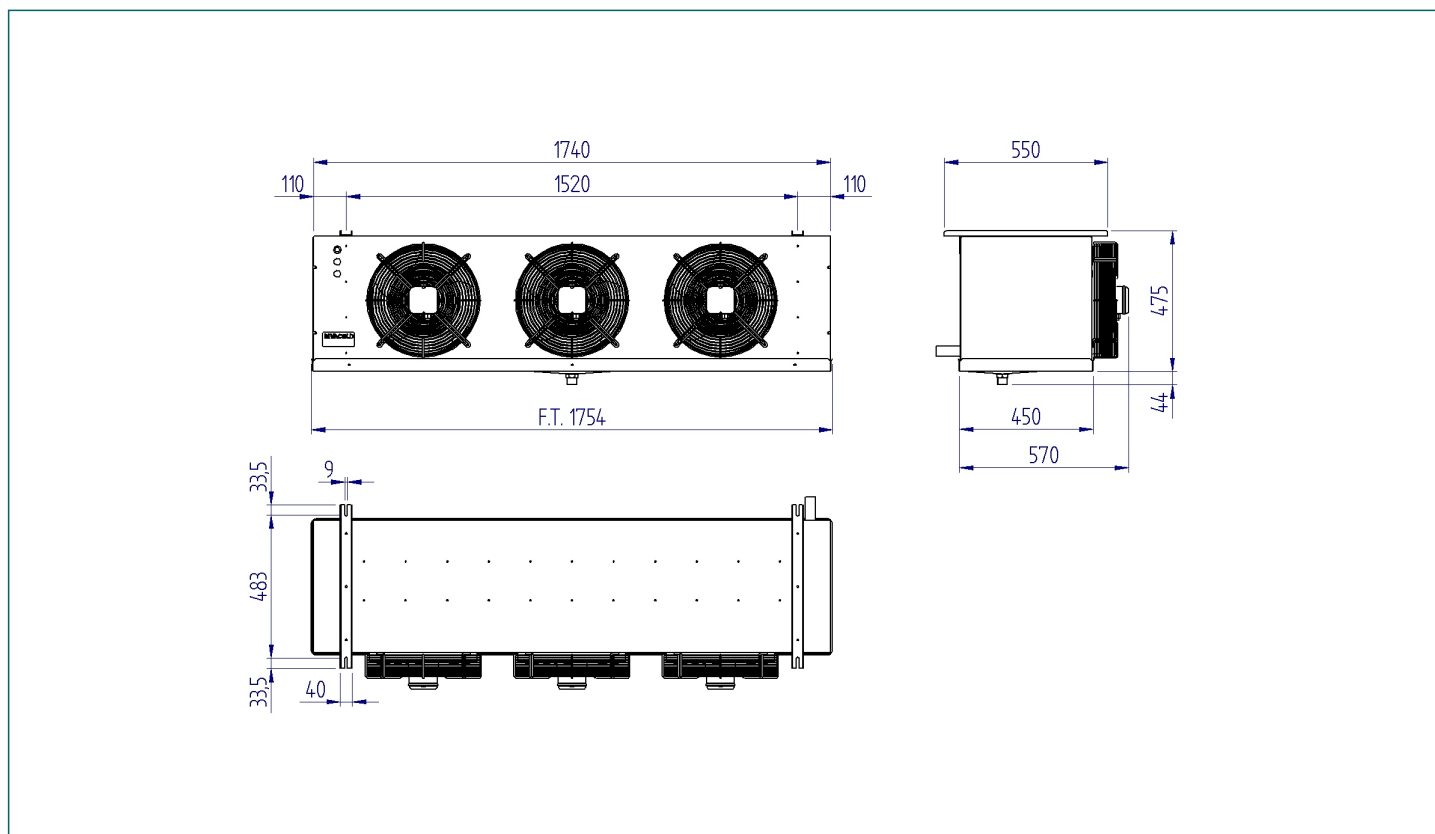
Product file : Unit coolers

Code	RCMR3350608ED
Model	Ceiling cubic unit cooler
Range	RCMR
Application	LBP
Net weight	58,6 kg
Inlet connection	22 mm
Outlet connection	35 mm
Drain connection	1" Gas (33mm)
Ped	0
Rows	6
Fin spacing	8
Circuit volume	11,1 dm ³
Total surface	27,9 m ²

Fan motor

Type	AC
Fans no.	3
Diameter	350 mm
Power supply	230/1/50-60
Defrost	5120 W
Speed	1400 rpm
Power consumption	390 W
Current consumption	1,74 A
Air flow	6497 m ³ /h
Air throw	18 m

Technical drawing - RCMR3350608



Refrigerating capacity table (watt) - Gas :

dT \ Tc	-40°C	-35°C	-30°C	-25°C	-20°C	-15°C	-10°C	-5°C	0°C	2°C	4°C
10	7490 ⁽¹⁾	8440	9400	10200	10900	11500	12000	12600	13300	13500	13600
9	7030 ⁽¹⁾	7900	8730	9440	10000	10500	10900	11500	12200	12300	12400
8	6530 ⁽¹⁾	7300	7990	8560	9040	9360	9800	10300	11000	11100	11200
7	5980 ⁽¹⁾	6630	7200	7640	8030	8290	8670	9150	9730	9830	9920
6	5350 ⁽¹⁾	5880	6330	6680	6980	7200	7560	8000	8560	8650	8750
5	4670 ⁽¹⁾	5060	5390	5650	5840	6090	6410	6820	7360	7430	7530

(1) Applicazione fuori dal campo consigliato