



INDICATIVE PHOTO

General features : RCMR2450608

RCMR ø450 range unit coolers have been designed to be installed inside cold rooms suited for fresh and frozen goods storage

This range completes the RC, RCS and RCMR Ø350 range applications and though having extremely compact dimensions, reaches bigger capacities suited for medium size cold rooms

RCMR ø450 range is available in different combinations of fin spacing dimensions and tube rows properly sized according to the needed applications

The ED version is supplied with mounted defrosting heaters and is suitable for being used at low temperature applications

The fan motors operate in the suction mode and prevent the condensate forming on the fan

The coil is made of aluminium fins, 12 mm copper tube and a geometry of 37,5 x 32,5

RCMR ø450 unit coolers can be classified in three groups according to the needed cold room temperature (Tc): 4mm fin spacing for a Tc from -5°C to +15°C; 6mm fin spacing for a Tc from -20°C to +15°C; 8mm fin spacing for a Tc from -40°C to +4°C

The coils are tested with nitrogen at a pressure of 25 bar.

The fan motor models in use have the following features:

Manufactured following EN 60335-1 laws, with internal thermal protection

Fan diameter 450mm, external rotor

Power supply 230/1/50-60Hz

IP54 protection rate

F insulation class

operating temperature -40°C a +65°C

Electrics made in conformity with 2006/95/CE Low Tension directive

The housing is made of aluminium

The manufacturing solutions used give the housing strength and guarantee the absence of vibrations during the functioning.

Screws, washers and nuts are made of stainless steel



INDICATIVE PHOTO

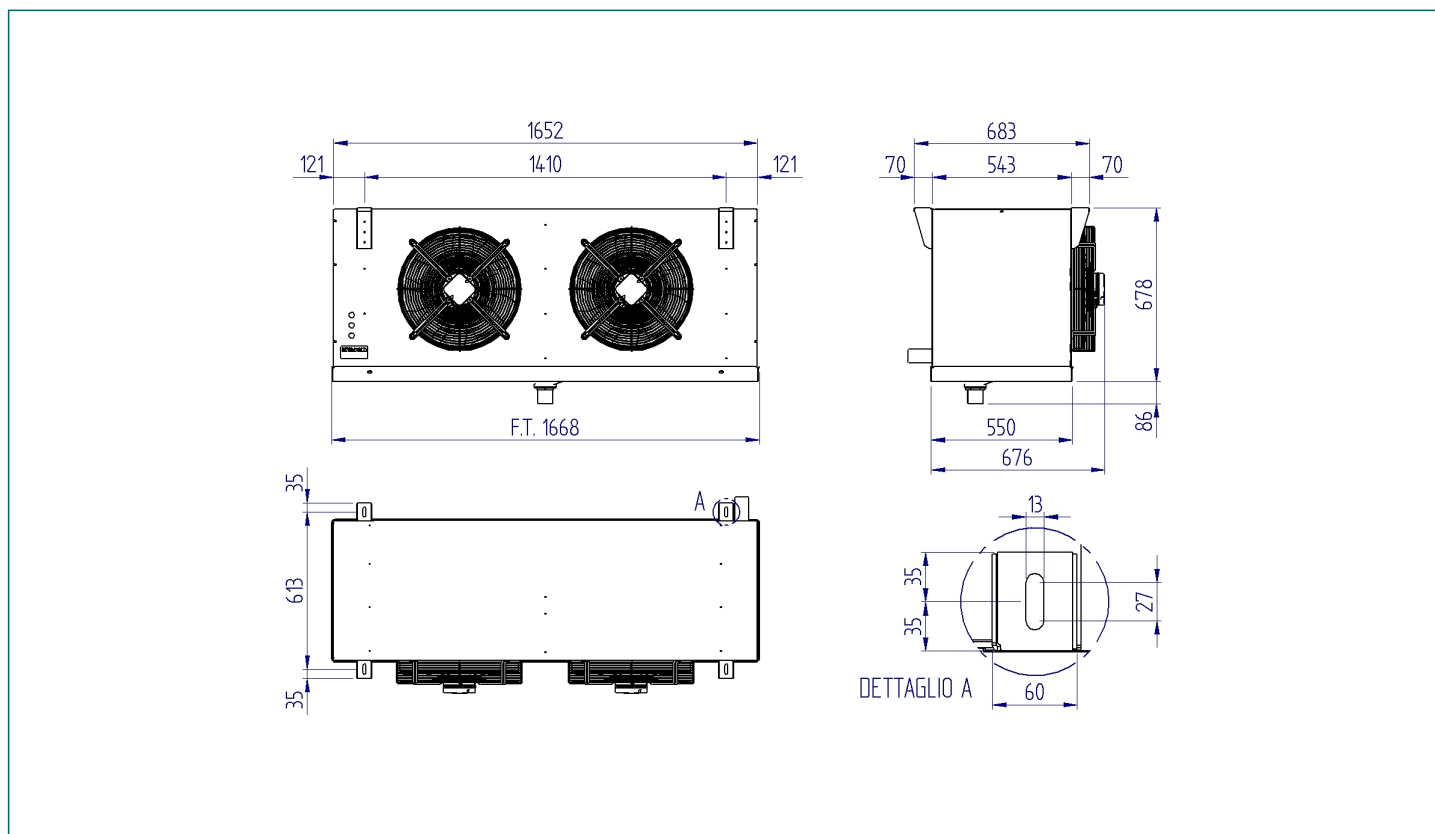
Product file : Unit coolers

| | |
|-------------------|---------------------------|
| Code | RCMR2450608ED |
| Model | Ceiling cubic unit cooler |
| Range | RCMR |
| Application | LBP |
| Net weight | 88,5 kg |
| Inlet connection | 28 mm |
| Outlet connection | 54 mm |
| Drain connection | 2" Gas |
| Ped | 1 |
| Rows | 6 |
| Fin spacing | 8 |
| Circuit volume | 16,1 dm ³ |
| Total surface | 40,1 m ² |

Fan motor

| | |
|---------------------|---------------------------|
| Type | AC |
| Fans no. | 2 |
| Diameter | 450 mm |
| Power supply | 230/1/50-60 |
| Defrost | 6600 W |
| Speed | 1310 rpm |
| Power consumption | 980 W |
| Current consumption | 4,72 A |
| Air flow | 11645.5 m ³ /h |
| Air throw | 24 m |

Technical drawing - RCMR2450608



Refrigerating capacity table (watt) - Gas :

| dT \ Tc | -40°C | -35°C | -30°C | -25°C | -20°C | -15°C | -10°C | -5°C | 0°C | 2°C | 4°C |
|---------|-----------|-------|-------|-------|-------|-------|-------|-------|-------|-------|-------|
| 10 | 12500 (1) | 14200 | 15700 | 16750 | 17800 | 18850 | 19900 | 20900 | 22100 | 22360 | 22620 |
| 9 | 11800 (1) | 13200 | 14500 | 15425 | 16350 | 17275 | 18200 | 19000 | 20100 | 20380 | 20660 |
| 8 | 10900 (1) | 12100 | 13300 | 14050 | 14800 | 15550 | 16300 | 17100 | 18100 | 18360 | 18620 |
| 7 | 9960 (1) | 11000 | 11900 | 12525 | 13150 | 13775 | 14400 | 15200 | 16100 | 16340 | 16580 |
| 6 | 8930 (1) | 9770 | 10500 | 11025 | 11550 | 12075 | 12600 | 13200 | 14100 | 14360 | 14620 |
| 5 | 7730 (1) | 8370 | 8910 | 9308 | 9705 | 10103 | 10500 | 11200 | 12000 | 12260 | 12520 |

(1) Applicazione fuori dal campo consigliato