



INDICATIVE PHOTO

General features : RCMR2350808

RCMR ø350 range unit coolers have been designed to be installed inside cold rooms suited for fresh and frozen goods storage

This range completes the RC and RCS range applications and though having extremely compact dimensions, reaches bigger capacities suited for medium size cold rooms

RCMR ø350 range is available in different combinations of fin spacing dimensions and tube rows properly sized according to the needed applications

The ED version is supplied with mounted defrosting heaters and is suitable for being used at low temperature applications

The fan motors operate in the suction mode and prevent the condensate forming on the fan

The coil is made of aluminium fins, 12 mm copper tube and a geometry of 37,5 x 32,5

RCMR ø350 unit coolers can be classified in three groups according to the needed cold room temperature (Tc): 4mm fin spacing for a Tc from -5°C to +15°C; 6mm fin spacing for a Tc from -20°C to +15°C; 8mm fin spacing for a Tc from -40°C to +4°C.

The coils are tested with nitrogen at a pressure of 25 bar.

The fan motor models in use have the following features:

Manufactured following EN 60335-1 laws, with internal thermal protection

Fan diameter 350 mm, external rotor

Power supply 230-240V/1/50-60Hz

IP44 protection rate

F insulation class

operating temperature -40°C a +65°C

Electrics made in conformity with 2006/95/CE Low Tension directive

The housing is made of aluminium

The manufacturing solutions used give the housing strength and guarantee the absence of vibrations during the functioning.

Screws, washers and nuts are made of stainless steel



INDICATIVE PHOTO

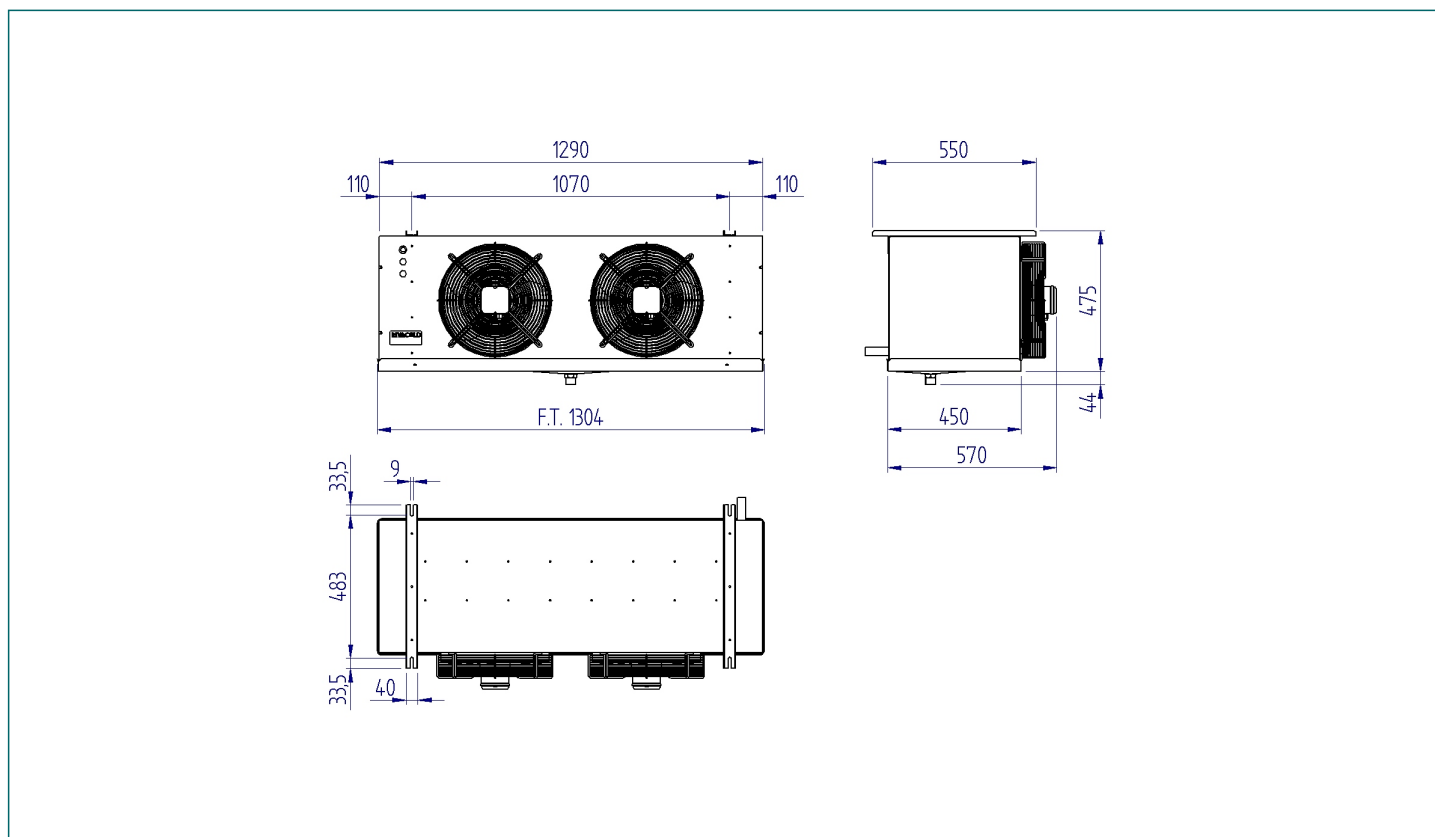
Product file : Unit coolers

Code	RCMR2350808ED
Model	Ceiling cubic unit cooler
Range	RCMR
Application	LBP
Net weight	47,9 kg
Inlet connection	16 mm-5/8" SAE
Outlet connection	28 mm
Drain connection	1" Gas (33mm)
Ped	0
Rows	8
Fin spacing	8
Circuit volume	10,6 dm ³
Total surface	26 m ²

Fan motor

Type	AC
Fans no.	2
Diameter	350 mm
Power supply	230/1/50-60
Defrost	4200 W
Speed	1400 rpm
Power consumption	260 W
Current consumption	1,16 A
Air flow	4162.5 m ³ /h
Air throw	14 m

Technical drawing - RCMR2350808



Refrigerating capacity table (watt) - Gas :

dT \ Tc	-40°C	-35°C	-30°C	-25°C	-20°C	-15°C	-10°C	-5°C	0°C	2°C	4°C
10	5430 ⁽¹⁾	6190	6980	7700	8300	8820	9330	9870	10500	10700	10800
9	5120 ⁽¹⁾	5830	6520	7120	7630	8080	8520	9020	9630	9780	9900
8	4790 ⁽¹⁾	5420	6010	6500	6930	7300	7700	8150	8700	8830	8940
7	4410 ⁽¹⁾	4950	5430	5840	6180	6490	6830	7240	7750	7850	7940
6	3980 ⁽¹⁾	4430	4810	5130	5400	5670	5970	6360	6850	6930	7010
5	3500 ⁽¹⁾	3840	4130	4370	4580	4740	5020	5370	5830	5890	5980

(1) Applicazione fuori dal campo consigliato