



INDICATIVE PHOTO

## General features : RCMR2350806

RCMR ø350 range unit coolers have been designed to be installed inside cold rooms suited for fresh and frozen goods storage

This range completes the RC and RCS range applications and though having extremely compact dimensions, reaches bigger capacities suited for medium size cold rooms

RCMR ø350 range is available in different combinations of fin spacing dimensions and tube rows properly sized according to the needed applications

The ED version is supplied with mounted defrosting heaters and is suitable for being used at low temperature applications

The fan motors operate in the suction mode and prevent the condensate forming on the fan

The coil is made of aluminium fins, 12 mm copper tube and a geometry of 37,5 x 32,5

RCMR ø350 unit coolers can be classified in three groups according to the needed cold room temperature (Tc): 4mm fin spacing for a Tc from -5°C to +15°C; 6mm fin spacing for a Tc from -20°C to +15°C; 8mm fin spacing for a Tc from -40°C to +4°C.

The coils are tested with nitrogen at a pressure of 25 bar.

The fan motor models in use have the following features:

Manufactured following EN 60335-1 laws, with internal thermal protection

Fan diameter 350 mm, external rotor

Power supply 230-240V/1/50-60Hz

IP44 protection rate

F insulation class

operating temperature -40°C a +65°C

Electrics made in conformity with 2006/95/CE Low Tension directive

The housing is made of aluminium

The manufacturing solutions used give the housing strength and guarantee the absence of vibrations during the functioning.

Screws, washers and nuts are made of stainless steel



INDICATIVE PHOTO

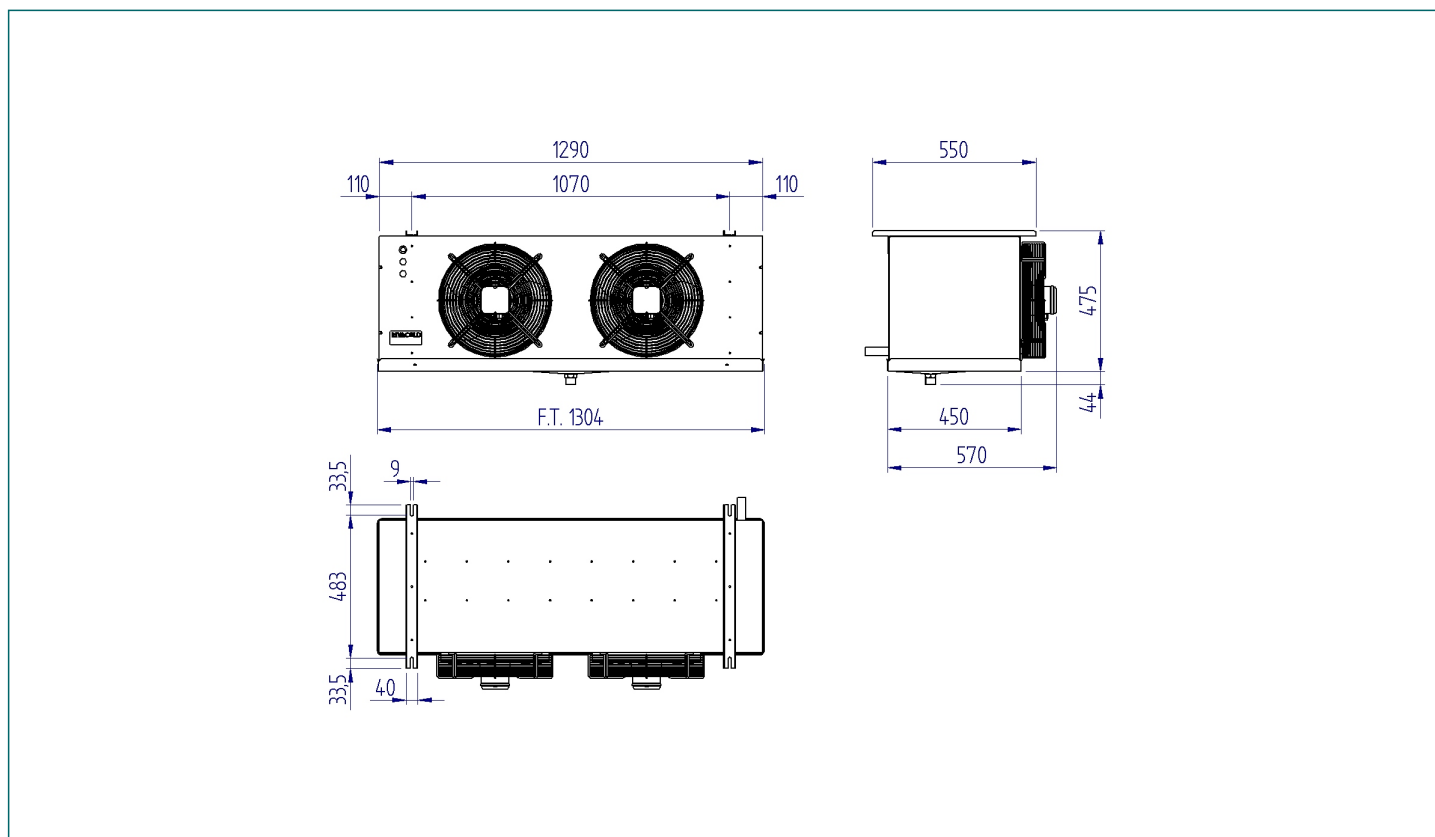
## Product file : Unit coolers

Code	RCMR2350806ED
Model	Ceiling cubic unit cooler
Range	RCMR
Application	MBP
Net weight	50,1 kg
Inlet connection	16 mm-5/8" SAE
Outlet connection	28 mm
Drain connection	1" Gas (33mm)
Ped	0
Rows	8
Fin spacing	6
Circuit volume	10,6 dm <sup>3</sup>
Total surface	33,5 m <sup>2</sup>

## Fan motor

Type	AC
Fans no.	2
Diameter	350 mm
Power supply	230/1/50-60
Defrost	4200 W
Speed	1400 rpm
Power consumption	260 W
Current consumption	1,16 A
Air flow	3656.5 m <sup>3</sup> /h
Air throw	14 m

## Technical drawing - RCMR2350806



## Refrigerating capacity table (watt) - Gas :

dT \ Tc	-20°C	-15°C	-10°C	-5°C	0°C	2°C	4°C	6°C	8°C	10°C	12°C	15°C
10	8710 <sup>(1)</sup>	9210	9650	10300	11000	11200	11300	11500	11700	11900	12300	12900
9	8040 <sup>(1)</sup>	8460	8840	9390	10100	10200	10400	10500	10700	11000	11300	11750
8	7320 <sup>(1)</sup>	7560	8000	8500	9120	9260	9390	9530	9710	10000	10300	10750
7	6460 <sup>(1)</sup>	6730	7110	7570	8120	8250	8350	8480	8710	8960	9230	9635
6	5660 <sup>(1)</sup>	5890	6230	6650	7190	7280	7380	7520	7780	8030	8300	8705
5	4760 <sup>(1)</sup>	5010	5300	5690	6200	6280	6370	6580	6810	7060	7320	7710

(1) Applicazione fuori dal campo consigliato