



INDICATIVE PHOTO

## General features : RCMR2350406

RCMR ø350 range unit coolers have been designed to be installed inside cold rooms suited for fresh and frozen goods storage

This range completes the RC and RCS range applications and though having extremely compact dimensions, reaches bigger capacities suited for medium size cold rooms

RCMR ø350 range is available in different combinations of fin spacing dimensions and tube rows properly sized according to the needed applications

The ED version is supplied with mounted defrosting heaters and is suitable for being used at low temperature applications

The fan motors operate in the suction mode and prevent the condensate forming on the fan

The coil is made of aluminium fins, 12 mm copper tube and a geometry of 37,5 x 32,5

RCMR ø350 unit coolers can be classified in three groups according to the needed cold room temperature (Tc): 4mm fin spacing for a Tc from -5°C to +15°C; 6mm fin spacing for a Tc from -20°C to +15°C; 8mm fin spacing for a Tc from -40°C to +4°C.

The coils are tested with nitrogen at a pressure of 25 bar.

The fan motor models in use have the following features:

Manufactured following EN 60335-1 laws, with internal thermal protection

Fan diameter 350 mm, external rotor

Power supply 230-240V/1/50-60Hz

IP44 protection rate

F insulation class

operating temperature -40°C a +65°C

Electrics made in conformity with 2006/95/CE Low Tension directive

The housing is made of aluminium

The manufacturing solutions used give the housing strength and guarantee the absence of vibrations during the functioning.

Screws, washers and nuts are made of stainless steel



INDICATIVE PHOTO

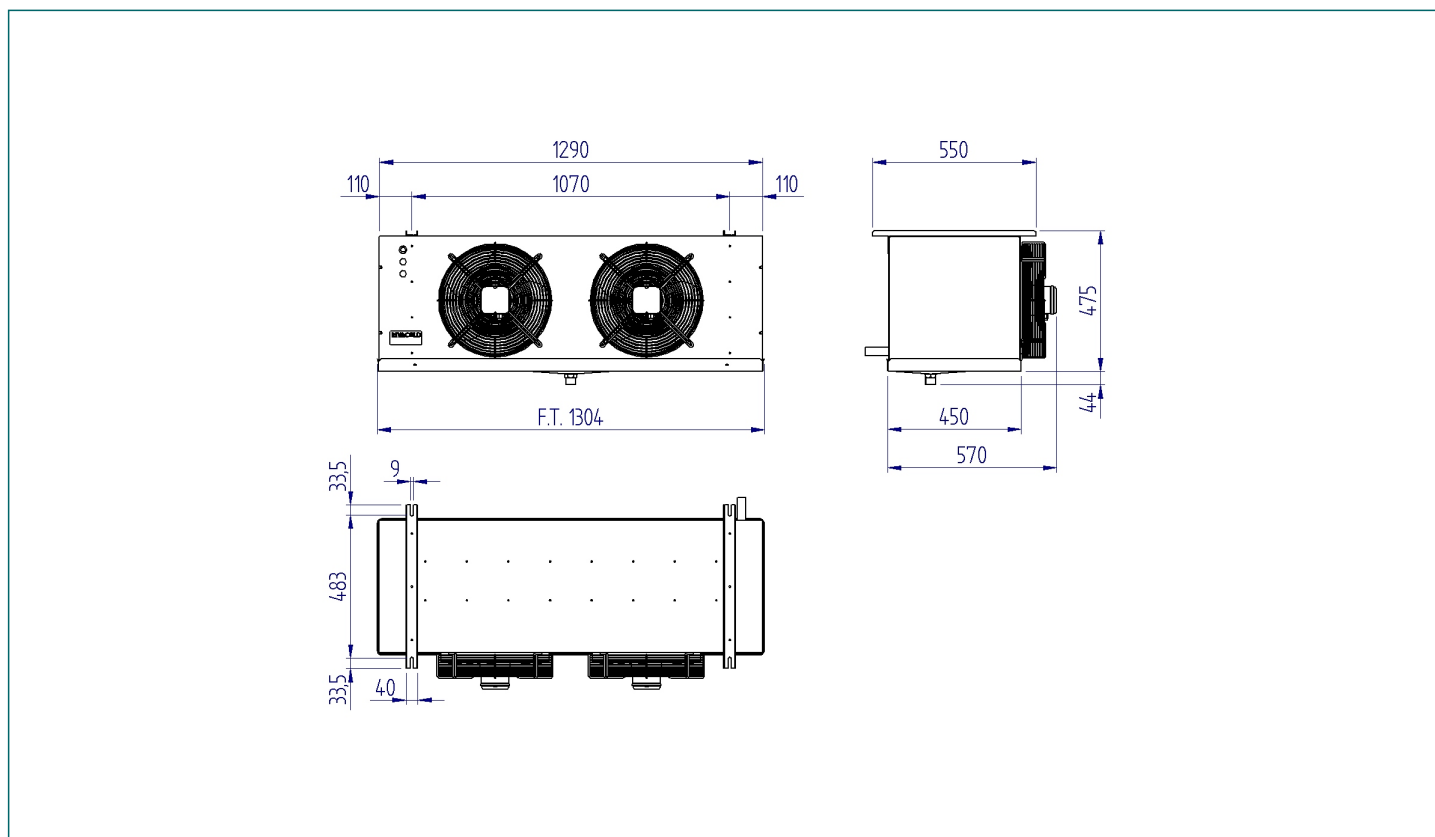
## Product file : Unit coolers

Code	RCMR2350406ED
Model	Ceiling cubic unit cooler
Range	RCMR
Application	MBP
Net weight	38,1 kg
Inlet connection	12 mm-1/2" SAE
Outlet connection	28 mm
Drain connection	1" Gas (33mm)
Ped	0
Rows	4
Fin spacing	6
Circuit volume	5,26 dm <sup>3</sup>
Total surface	16,8 m <sup>2</sup>

## Fan motor

Type	AC
Fans no.	2
Diameter	350 mm
Power supply	230/1/50-60
Defrost	2800 W
Speed	1400 rpm
Power consumption	260 W
Current consumption	1,16 A
Air flow	4287 m <sup>3</sup> /h
Air throw	14 m

## Technical drawing - RCMR2350406



## Refrigerating capacity table (watt) - Gas :

dT \ Tc	-20°C	-15°C	-10°C	-5°C	0°C	2°C	4°C	6°C	8°C	10°C	12°C	15°C
10	6710 <sup>(1)</sup>	6990	7300	7650	8060	8150	8230	8300	8440	8520	8720	9020
9	6090 <sup>(1)</sup>	6360	6640	6960	7350	7420	7480	7570	7660	7820	7980	8220
8	5490 <sup>(1)</sup>	5710	5960	6250	6610	6670	6720	6810	6890	7070	7220	7445
7	4840 <sup>(1)</sup>	5040	5260	5520	5860	5900	5940	6020	6150	6290	6430	6640
6	4200 <sup>(1)</sup>	4360	4560	4810	5140	5170	5230	5300	5450	5590	5740	5965
5	3540 <sup>(1)</sup>	3680	3860	4090	4400	4430	4490	4610	4740	4880	5030	5255

(1) Applicazione fuori dal campo consigliato