

DATA	20.03.2019
CUSTOMER	
REFERENCE	

<b>Evaporator Model</b>		<b>P12-110 Ev-F</b>	
Number of circuits		1	1
Requested capacity	kW	211	
Margin	%	4,4	
PED category		---	

<b>INPUT DATA</b>		<b>PRIMARY SIDE</b>	<b>SECONDARY SIDE</b>
<b>Refrigerant</b>		R407C	
Evaporating Temperature	°C	5 (Dew)	
Evaporating Pressure	bar A	5,469	
Superheating	K	5	
Condensing Temperature	°C	45 (Dew)	
Condensing Pressure	bar A	17,536	
Subcooling	K	5	
Pressure drop	kPa	88	
<b>Fluid</b>			WATER
Inlet Temperature	°C		15
Outlet Temperature	°C		10
Flow rate	m <sup>3</sup> /h		36,27
Pressure drop	kPa		111,1
Fouling factor	(m <sup>2</sup> K)/W		0,000043
<i>Velocity (Inside)</i>	<i>m/s</i>	---	<i>0,48</i>
<i>Exchange coefficient</i>	<i>W/(m<sup>2</sup> K)</i>	<i>8094</i>	<i>13080</i>
<i>DTML</i>	°C		<i>7,21</i>

**WARNING**

Pressure drops water side higher than allowed limits.

**DIMENSIONS**

Surface	m <sup>2</sup>	13,20	
Weight	kg	50	
Channel volume	dm <sup>3</sup>	20,5	20,9
Height	mm	617	
Width	mm	188	
Depth	mm	262,3	
Connections		ODS 28/ODS 54	2" G/2" G

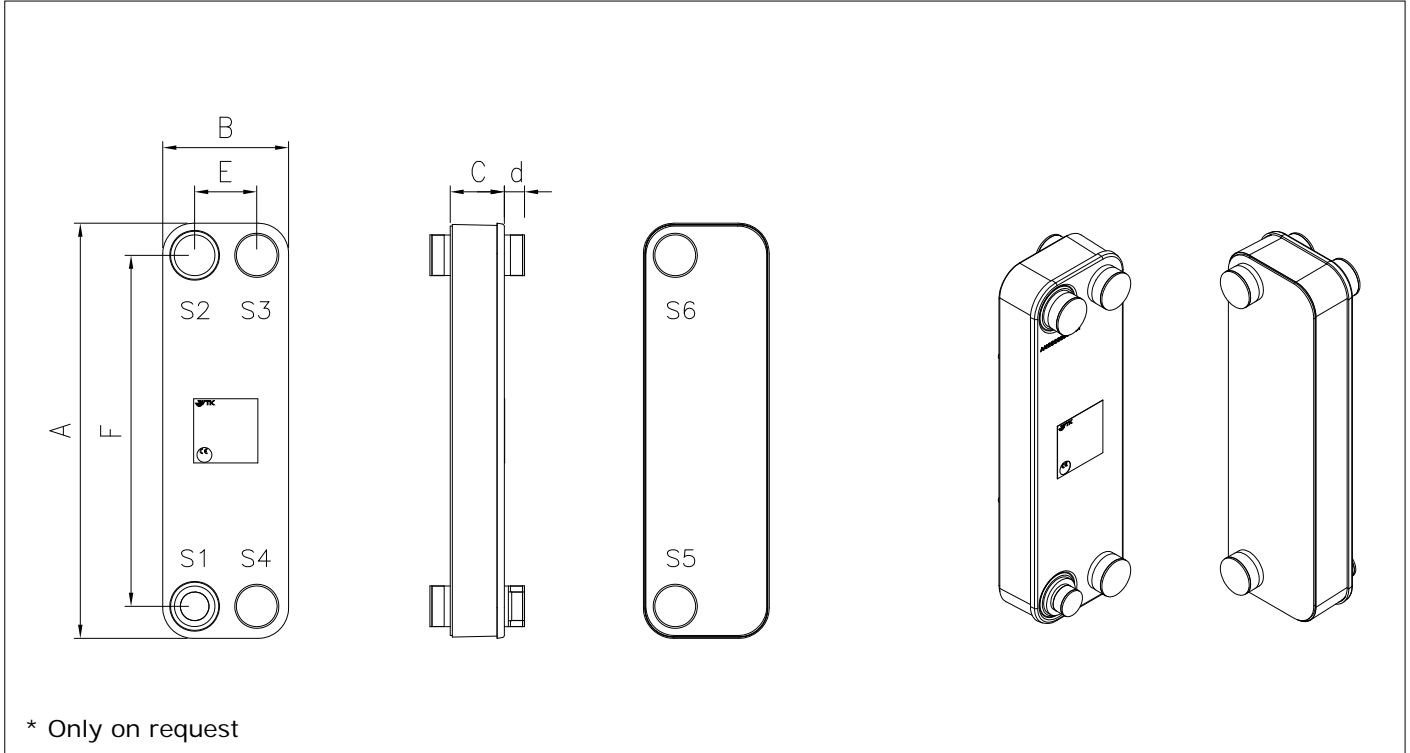
**OFFER**

Unit net price	Euro	
----------------	------	--

**NOTES**

--

DATA	20.03.2019
CUSTOMER	
REFERENCE	

**DRAWING**

**DIMENSIONS (mm)**
**DATA**

Dimension	Value	Label	Specification	Surface	Weight
A	617	S1	ODS 28	m?	13,20
B	188	S2	ODS 54	kg	50
C	262,3	S3	2" G		
E	92	S4	2" G		
F	519	S5*	2" G		
G	--	S6*	2" G		
d	27	S7	--		
		S8	--		

This software is only to be used as an assistance and does not replace the necessary specialist knowledge and experience when designing heat exchangers. We continuously work in order to improve and correct the software. Nevertheless we cannot guarantee its absolute infallibility. Therefore the use of the program is at the user's risk.